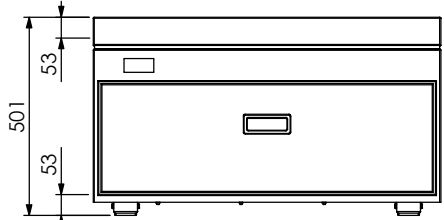
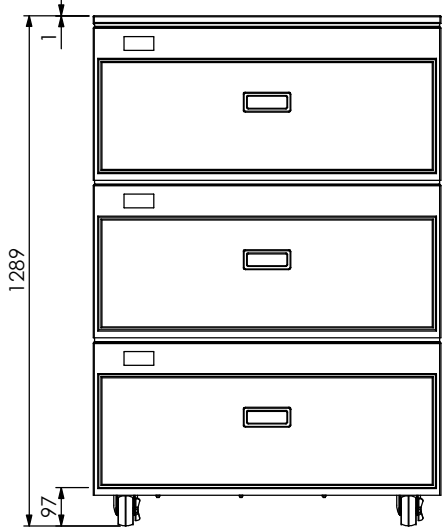


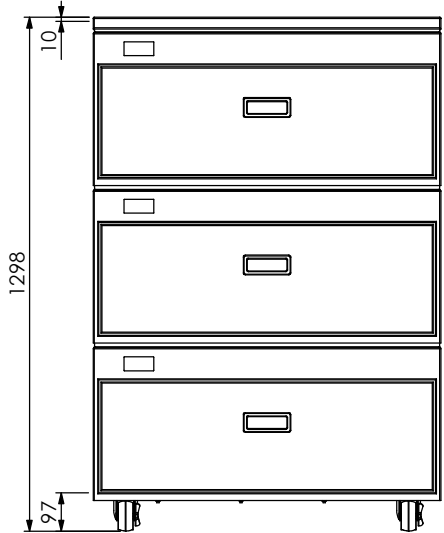
SPAE.VCR Footprint 878W x 885D



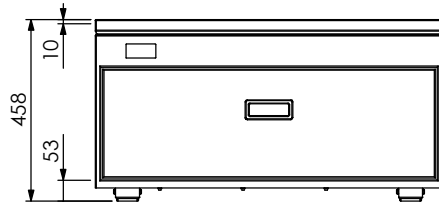
SPAE.VCR1.RHS



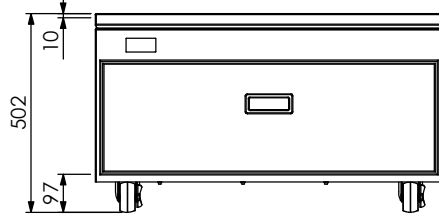
SPAE.VCR3.CT



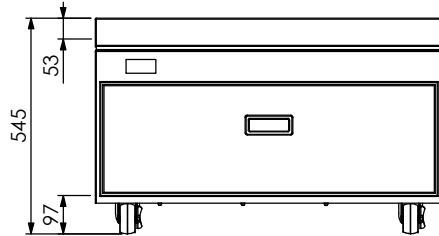
SPAE.VCR3.CW



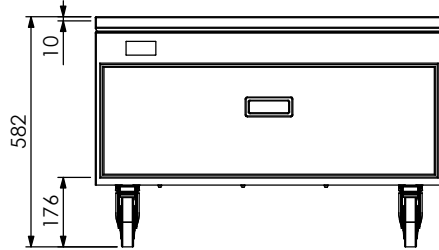
SPAE.VCR1.RW



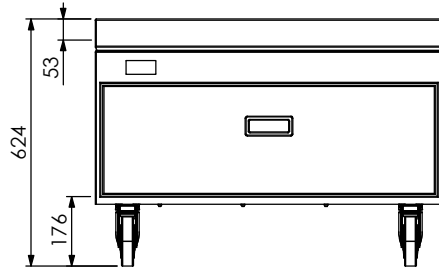
SPAE.VCR1.CW



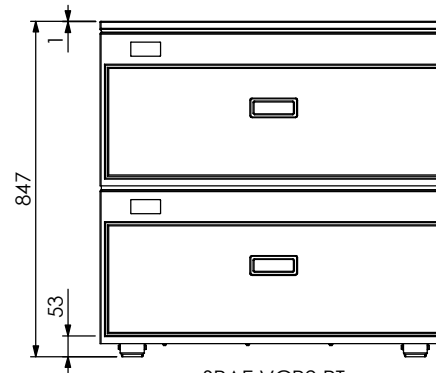
SPAE.VCR1.CHS



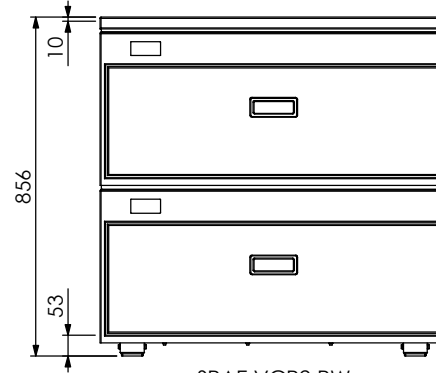
SPAE.VCR1.HCW



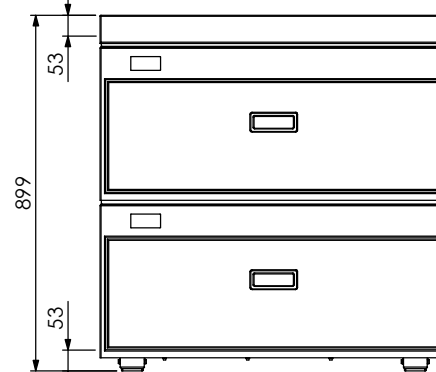
SPAE.VCR1.HCHS



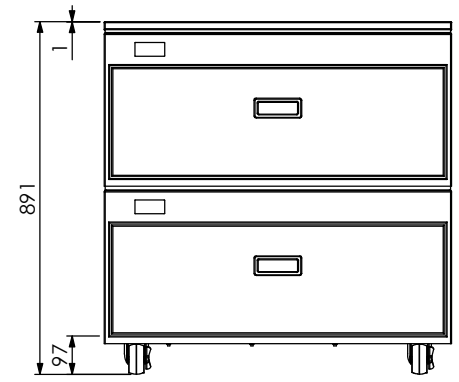
SPAE.VCR2.RT



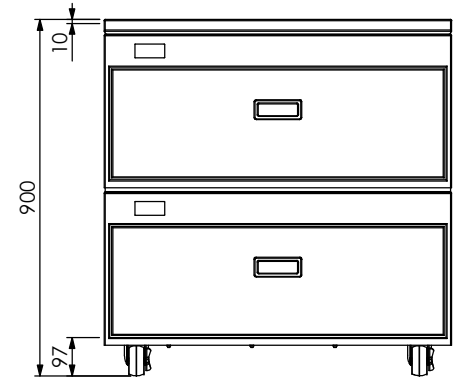
SPAE.VCR2.RW



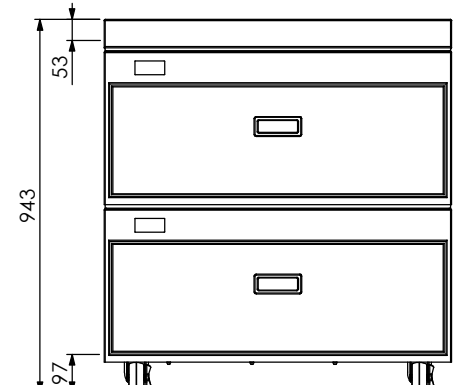
SPAE.VCR2.RHS



SPAE.VCR2.CT



SPAE.VCR2.CW



SPAE.VCR2.CHS



STODDART MANUFACTURING

TOM STODDART Pty Ltd ACN 009 690 251
215 Jackson Rd Sunnybank Hills Qld 4109
PO Box 420 Sunnybank Qld 4109
Phone (617) 3344 2444 Fax (617) 3345 6403
Email sunnybank@stoddart.com.au

Quality in stainless steel

<table border="1"> <tr> <td>NAME</td> <td>SIGNATURE</td> <td>DATE</td> <td colspan="2">UNLESS OTHERWISE SPECIFIED: DIMENSIONS ARE IN MILLIMETERS</td> </tr> <tr> <td>DRAWN M Sheehan</td> <td></td> <td>25/10/2011</td> <td colspan="2"></td> </tr> <tr> <td>APPVD</td> <td></td> <td></td> <td colspan="2">MATERIAL: THICKNESS: FINISH:</td> </tr> </table>					NAME	SIGNATURE	DATE	UNLESS OTHERWISE SPECIFIED: DIMENSIONS ARE IN MILLIMETERS		DRAWN M Sheehan		25/10/2011			APPVD			MATERIAL: THICKNESS: FINISH:		PART No: VCR Assemblies DESCRIPTION: Adande Rear Engine Configurations		Dwg. Issue 1
NAME	SIGNATURE	DATE	UNLESS OTHERWISE SPECIFIED: DIMENSIONS ARE IN MILLIMETERS																			
DRAWN M Sheehan		25/10/2011																				
APPVD			MATERIAL: THICKNESS: FINISH:																			
Weight: Surface Area:			DWG No: VCR Configurations		Sheet 1 of 1																	
DO NOT SCALE DRAWING						This drawing remains the property of Tom Stoddart Pty Ltd & cannot be reproduced without prior permission.																