

# 16" PIZZA DELIVERY SYSTEM

Pizza Bag Charger

## PTDS200

602304



PROJECT \_\_\_\_\_

ITEM \_\_\_\_\_

QUANTITY \_\_\_\_\_

DATE \_\_\_\_\_

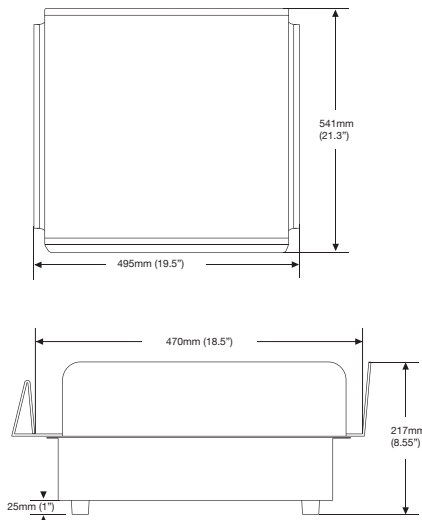
### TECHNICAL DATA:

<b>Dimensions (W x D x H):</b>	495 x 541 x 217
<b>Total Weight:</b>	8.6Kg
<b>Wall Clearance:</b>	51mm
<b>Max Ambient Temperature:</b>	50°C
<b>Model:</b>	<b>PTDS200</b>
<b>Total Connected Load:</b>	1.8kW
<b>Volts (Single Phase):</b>	220-240 V
<b>Amps</b>	10A

The CookTek® Pizza Delivery System is comprised of a lightweight thermal FlashPak™ disc, pellet centering tray (PCT), system-specific VaporVent™ delivery bag, and an induction charger base. The FlashPak™ disc and PCT tray reside in the VaporVent™ bag. When the bag is placed on the charger, the disc automatically heats up. After it is heated to the desired temperature, the thermal disc automatically stops heating. Once removed from the charger, the FlashPak™ disc retains its temperature for up to 30 minutes.

### FEATURES:

- Designed for a pizzas up to 16-inches (406 mm)
- Induction-charged thermal disc keeps up to three pizzas at a consistent, hot temperature for up to 30 minutes
- Fast heat-up – initial charge takes less than three minutes; recharges in as little as 60 seconds
- Cool to the touch charger surface
- Designed to withstand exposure to grease, oil, flour, and other food substances
- Lighted display for easy operation
- Cordless delivery bag with VaporVent™ lid to eliminate condensation
- Lightweight – delivery bag and FlashPak™ disc have combined weight of 1.7kg
- FlashPak™ disc and Pellet Centering Tray can be removed for bag cleaning and replacement
- Self-diagnostic features alert user in the event of an error
- Range of accessories available, please contact your Stoddart profession for additional information



\*Induction cooking requires the use of induction-compatible (i.e. magnetic) cookware.

### CERTIFICATIONS



Due to continuous product research and development, the information contained herein is subject to change without notice.

Revision: May 1, 2019 9:11 AM

[www.stoddart.com.au](http://www.stoddart.com.au)

[www.stoddart.co.nz](http://www.stoddart.co.nz)