



CH.HFSAG.2.900

Hot Food Slides Heated

Angled



Product Information:

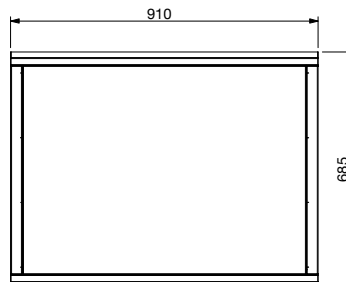
- Ideal for canteens and self serve food sales outlets for showcasing wrapped or boxed food products
- Glass ends for better product visibility
- Overhead lights for illumination
- Two overhead elements per shelf to ensure hot food is held safely at proper serving temperatures
- Shelf bases heated with specially engineered heater pads to ensure warm and even heat distribution without hot-spots
- Heavy-duty stainless steel product divider bars, adjustable in 20mm increments, can fit foods of all sizes and are removable for easy cleaning
- Individual controls for each shelf and heavy-duty on/off switches
- Individual On/Off switches operate the overhead lighting for each shelf
- Robust construction from 304 grade stainless steel with a No.4 finish
- Units supplied with no lead and no plug, ready for connection by electrician
- Choice of colour available for trim
- Flat shelves available upon request

Product Code:

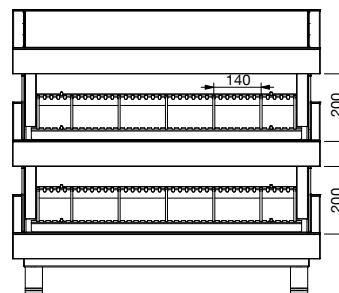
CH = Culinaire Heated
HFSAG = Angled Food Slide - Glass Ends
2 = 2 Tiers
900 = 910mm wide

Technical Data:

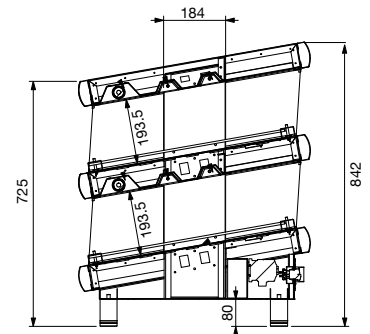
Dimensions: W x D x H: 910 x 685 x 842
Total Connected Load: 2.22kW
Electrical Connection: 10A no lead or plug supplied



PLAN VIEW



FRONT ELEVATION



END ELEVATION



Proudly Manufactured in Australia

Due to continuous product research and development, the information contained herein is subject to change without notice

Manufactured By:

Tom Stoddart Pty Ltd. ABN 16 009690251
39 Forest Way, Karawatha 4117 Queensland Australia
Tel : +61 7 3440 7600 Fax : +61 7 33441000
Web site: www.stoddart.com.au

