



Electrolux

Modular Cooking Range Line 700XP Open Base Cupboard 1/2 Module

ITEM # _____

MODEL # _____

NAME # _____

SIS # _____

AIA # _____



Modular Cooking Range Line
700XP Open Base Cupboard 1/2 Module
371112 (E7BAND0000) Open base cupboard, 1/2
module

Short Form Specification

Item No. _____

Open base to store pots, pans, sheet pans etc. To be installed below 700XP top units in island type installations with operations from one side. Constructed in stainless steel with Scotch Brite finish. Delivered with 50 mm height adjustable feet.

APPROVAL: _____

Main Features

- Unit can be easily installed below other 700 line top models.
- Unit delivered with 50 mm height adjustable feet in Stainless steel.
- Open base compartment for storage of pots, pans, sheet pans, etc.
- Doors with handles, drawers, heating kits and runners for GN containers can be ordered separately.

Construction

- Constructed in Stainless steel with Scotch Brite finish to meet the highest hygiene standards.

Optional Accessories

- Kit 4 wheels - 2 swivelling with brake - it is mandatory to install base support and wheels PNC 206135
- Flanged feet kit PNC 206136
- Frontal kicking strip for concrete installation, 200mm PNC 206146
- Frontal kicking strip for concrete installation, 400mm PNC 206147
- Frontal kicking strip for concrete installation, 800mm PNC 206148
- Frontal kicking strip for concrete installation, 1000mm PNC 206150
- Frontal kicking strip for concrete installation, 1200mm PNC 206151
- Frontal kicking strip for concrete installation, 1600mm PNC 206152
- Frontal kicking strip, 200mm (not for refr-freezer base) PNC 206174
- Frontal kicking strip, 400mm (not for refr-freezer base) PNC 206175
- Frontal kicking strip, 800mm (not for refr-freezer base) PNC 206176
- Frontal kicking strip, 1000mm (not for refr-freezer base) PNC 206177
- Frontal kicking strip, 1200mm (not for refr-freezer base) PNC 206178
- Frontal kicking strip, 1600mm (not for refr-freezer base) PNC 206179
- Kit 4 feet for concrete installation (not for 900 line free standing grill) PNC 206210
- 2 panels for service duct for single "top on base" installation PNC 206248
- Pair of side kicking strips PNC 206249
- 2 supports runners for open base for 4 GN1/1 PNC 206257
- Electric heating kit for cupboards PNC 206259



Electrolux

Modular Cooking Range Line
700XP Open Base Cupboard 1/2 Module



Electrolux

**Modular Cooking Range Line
700XP Open Base Cupboard 1/2
Module**

- Pair of side kicking strips for concrete installation PNC 206265
- 2 drawers for open base cupboards, 100mm height PNC 206318
- Door for open base cupboard PNC 206350
- Base support for feet or wheels - 400mm (700/900) PNC 206366
- Base support for feet or wheels - 800mm (700/900) PNC 206367
- Base support for feet or wheels - 1200mm (700/900) PNC 206368
- Base support for feet or wheels - 1600mm (700/900) PNC 206369
- Base support for feet or wheels - 2000mm (700/900) PNC 206370
- Rear paneling - 600mm (700/900XP) PNC 206373
- Rear paneling - 800mm (700/900) PNC 206374
- Rear paneling - 1000mm (700/900) PNC 206375
- Rear paneling - 1200mm (700/900) PNC 206376



**Modular Cooking Range Line
700XP Open Base Cupboard 1/2 Module**

The company reserves the right to make modifications to the products without prior notice. All information correct at time of printing.

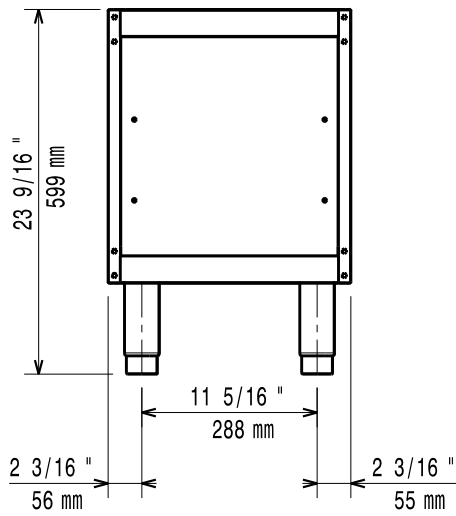
2015.12.03



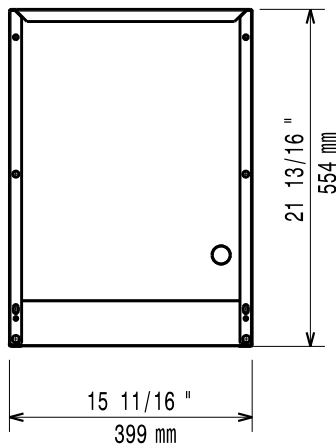
Electrolux

Modular Cooking Range Line 700XP Open Base Cupboard 1/2 Module

Front

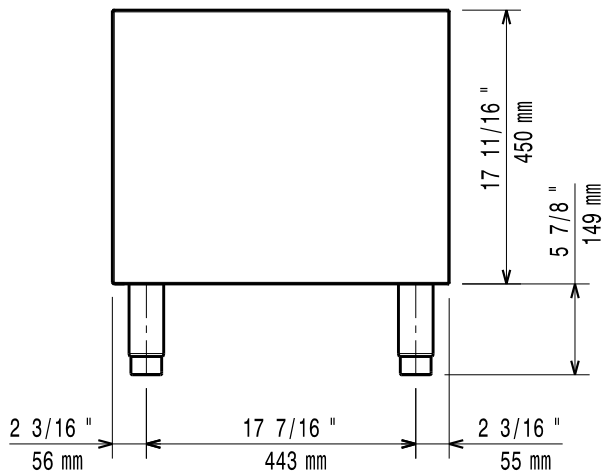


Top



EQ = Equipotential screw

Side



Key Information:

External dimensions, Height:	
371112 (E7BAND0000)	600 mm
External dimensions, Width:	400 mm
External dimensions, Depth:	550 mm
Net weight:	10 kg



Modular Cooking Range Line
700XP Open Base Cupboard 1/2 Module

The company reserves the right to make modifications to the products without prior notice. All information correct at time of printing.