



Electrolux

Modular Cooking Range Line 700XP 4-Burner Gas Range on Electric Oven

ITEM # _____

MODEL # _____

NAME # _____

SIS # _____

AIA # _____



Modular Cooking Range Line

700XP 4-Burner Gas Range on Electric Oven

371168 (E7GCGH4CGA) 4-burner (5,5 kW each) gas range on *gas* oven (6 kW)

371169 (E7GCGH4CEA) 4-burner (5,5 kW each) gas range on electric oven (6 kW)

Short Form Specification

Item No. _____

To be installed on stainless steel feet with height adjustment up to 50 mm. High efficiency flower flame burners with flame regulator and protected pilot light. Flame failure device as standard on burners to protect against accidental extinguishing. Stainless steel oven chamber with 3 levels of runners to accommodate 2/1 GN shelves (2 steam pans). Ribbed oven base plate. Exterior panels in stainless steel with Scotch Brite finish. Pan supports in heavy duty cast iron. One piece pressed work top in 1.5 mm thick stainless steel. Right-angled side edges to allow flush-fitting junction between units.

Main Features

- Unit to have stainless steel feet with height adjustment up to 50 mm.
- The four 5.5 kW high efficiency flower flame burners allow the flame to adapt to different size pans.
- Gas appliance supplied for use with natural or LPG gas, conversion jets supplied as standard.
- Large sized pan support in cast iron (stainless steel as option) with long center fins to allow the use of the largest down to the smallest pans.
- Pan supports in cast iron are washable in a dishwasher.
- Burners to feature flame regulator.
- Flame failure device on each burner protects against gas leakage when accidental extinguishing of the flame occurs.
- Protected pilot light.
- Base compartment consists of an electric standard oven positioned beneath the base plate. Stainless steel oven chamber to have 3 levels of runners to accommodate 2/1 GN shelves (2 steam pans) and ribbed enamelled steel base plate.
- Oven thermostat adjustable from 140 °C to 300 °C.
- Double skinned door with pressed internal panel for heat insulation.
- IPX 4 water protection.

Construction

- All exterior panels in Stainless Steel with Scotch Brite finishing.
- One piece pressed 1.5 mm work top in Stainless steel.
- Model has right-angled side edges to allow flush fitting joints between units, eliminating gaps and possible dirt traps.

Included Accessories

- 1 of GN2/1 chrome grid for static oven PNC 164250

Optional Accessories

- GN2/1 chrome grid for static oven PNC 164250
- Draught diverter, 150 mm diameter PNC 206132
- Matching ring for flue condenser, 150 mm diameter PNC 206133
- Kit 4 wheels - 2 swivelling with brake - it is mandatory to install base support and wheels PNC 206135

APPROVAL: _____

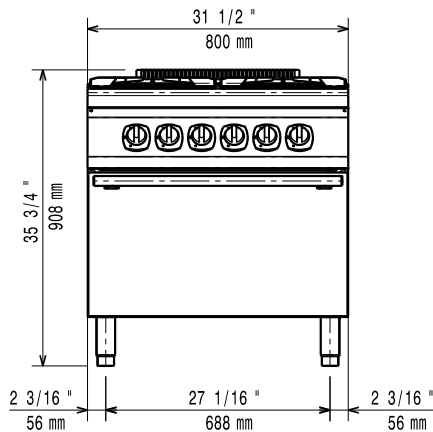


Electrolux

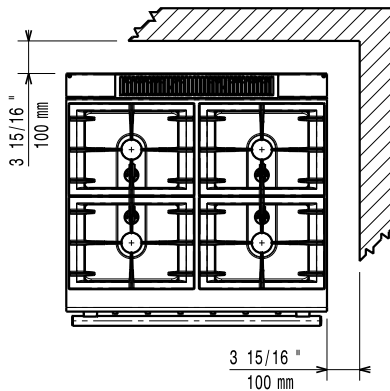
Modular Cooking Range Line
700XP 4-Burner Gas Range on Electric Oven

- | | | | |
|---|--|---|--|
| • Flanged feet kit | PNC 206136
<input type="checkbox"/> | • Base support for feet or wheels - 2000mm (700/900) | PNC 206370
<input type="checkbox"/> |
| • Frontal kicking strip for concrete installation, 200mm | PNC 206146
<input type="checkbox"/> | • Rear paneling - 800mm (700/900) | PNC 206374
<input type="checkbox"/> |
| • Frontal kicking strip for concrete installation, 400mm | PNC 206147
<input type="checkbox"/> | • Rear paneling - 1000mm (700/900) | PNC 206375
<input type="checkbox"/> |
| • Frontal kicking strip for concrete installation, 800mm | PNC 206148
<input type="checkbox"/> | • Rear paneling - 1200mm (700/900) | PNC 206376
<input type="checkbox"/> |
| • Frontal kicking strip for concrete installation, 1000mm | PNC 206150
<input type="checkbox"/> | • Kit town gas nozzles (G150) for 700 gas range (only for 371003) | PNC 206387
<input type="checkbox"/> |
| • Frontal kicking strip for concrete installation, 1200mm | PNC 206151
<input type="checkbox"/> | • 2 side covering panels for free standing appliances | PNC 216000
<input type="checkbox"/> |
| • Frontal kicking strip for concrete installation, 1600mm | PNC 206152
<input type="checkbox"/> | • Frontal handrail, 800mm | PNC 216047
<input type="checkbox"/> |
| • Frontal kicking strip, 200mm (not for refr-freezer base) | PNC 206174
<input type="checkbox"/> | • Frontal handrail, 1200mm | PNC 216049
<input type="checkbox"/> |
| • Frontal kicking strip, 400mm (not for refr-freezer base) | PNC 206175
<input type="checkbox"/> | • Frontal handrail, 1600mm | PNC 216050
<input type="checkbox"/> |
| • Frontal kicking strip, 800mm (not for refr-freezer base) | PNC 206176
<input type="checkbox"/> | • Large handrail - portioning shelf, 400mm | PNC 216185 <input type="checkbox"/> |
| • Frontal kicking strip, 1000mm (not for refr-freezer base) | PNC 206177
<input type="checkbox"/> | • Large handrail - portioning shelf, 800mm | PNC 216186 <input type="checkbox"/> |
| • Frontal kicking strip, 1200mm (not for refr-freezer base) | PNC 206178
<input type="checkbox"/> | • Double burner smooth plate for direct cooking | PNC 921684
<input type="checkbox"/> |
| • Frontal kicking strip, 1600mm (not for refr-freezer base) | PNC 206179
<input type="checkbox"/> | • Double burner ribbed plate for direct cooking | PNC 921685
<input type="checkbox"/> |
| • Kit 4 feet for concrete installation (not for 900 line free standing grill) | PNC 206210
<input type="checkbox"/> | | |
| • Flue condenser for 1 module, 150 mm diameter | PNC 206246
<input type="checkbox"/> | | |
| • Pair of side kicking strips | PNC 206249
<input type="checkbox"/> | | |
| • Single burner smooth plate for direct cooking - fits frontal burners only | PNC 206260
<input type="checkbox"/> | | |
| • Single burner ribbed plate for direct cooking- fits frontal burners only | PNC 206261
<input type="checkbox"/> | | |
| • Single burner radiant plate for pan support | PNC 206264
<input type="checkbox"/> | | |
| • Pair of side kicking strips for concrete installation | PNC 206265
<input type="checkbox"/> | | |
| • Water column with swivel arm (water column extension not included) | PNC 206289
<input type="checkbox"/> | | |
| • Water column extension for 700 line | PNC 206291
<input type="checkbox"/> | | |
| • Stainless steel double grid for 2 burners (only for 371003) | PNC 206297
<input type="checkbox"/> | | |
| • Chimney upstand, 800mm | PNC 206304
<input type="checkbox"/> | | |
| • Right and left side handrails | PNC 206307
<input type="checkbox"/> | | |
| • Wok pan support for open burners (700/900) | PNC 206363
<input type="checkbox"/> | | |
| • Base support for feet or wheels - 400mm (700/900) | PNC 206366
<input type="checkbox"/> | | |
| • Base support for feet or wheels - 800mm (700/900) | PNC 206367
<input type="checkbox"/> | | |
| • Base support for feet or wheels - 1200mm (700/900) | PNC 206368
<input type="checkbox"/> | | |
| • Base support for feet or wheels - 1600mm (700/900) | PNC 206369
<input type="checkbox"/> | | |

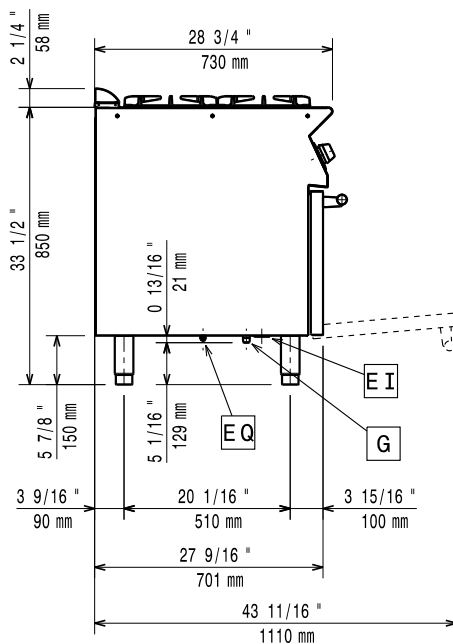
Front



Top



Side



EI = Electrical connection
EQ = Equipotential screw
G = Gas connection

Electric

Supply voltage:

371003 (E7GCGH4CE0)	400 V/3N ph/50/60 Hz
371125 (E7GCGH4CEN)	230 V/3 ph/50/60 Hz

Electrical power:

6 kW

Total Watts:

6 kW

Oven Heat Input:

6 kW

Gas

Gas Power:

74998 Btu/hr (22 kW)

Gas Type Option:

LPG;Town

Gas Inlet:

1/2"

Natural gas - Pressure:

371003 (E7GCGH4CE0)	7" w.c. (17.4 mbar)
---------------------	---------------------

LPG Gas Pressure:

371003 (E7GCGH4CE0)	11" w.c. (27.7 mbar)
---------------------	----------------------

Key Information:

Front Burners Power:	5.5 - 5.5 kW
Back Burners Power:	5.5 - 5.5 kW
Back Burners Dimension - mm	Ø 60 Ø 60
Front Burners Dimension - mm	Ø 60 Ø 60
Oven working Temperature:	140 °C MIN; 300 °C MAX
Oven Cavity Dimensions (width):	540 mm
Oven Cavity Dimensions (height):	300 mm
Oven Cavity Dimensions (depth):	650 mm
Net weight:	80 kg
Shipping weight:	
371003 (E7GCGH4CE0)	104 kg
371125 (E7GCGH4CEN)	95 kg
Shipping height:	1140 mm
Shipping width:	820 mm
Shipping depth:	860 mm
Shipping volume:	
371003 (E7GCGH4CE0)	0.8 m ³
371125 (E7GCGH4CEN)	0.84 m ³

If appliance is set up or next to or against temperature sensitive furniture or similar, a safety gap of approximately 150 mm should be maintained or some form of heat insulation fitted.