



Electrolux

Modular Cooking Range Line 900XP Half Module Gas Fry Top, Mild Steel

ITEM # _____

MODEL # _____

NAME # _____

SIS # _____

AIA # _____



Modular Cooking Range Line

900XP Half Module Gas Fry Top, Mild Steel

391048 (E9FTGDHS00) Half module gas frytop with smooth horizontal mild steel plate, thermostatic control

391049 (E9FTGDSR00) Half module gas frytop with ribbed sloped mild steel plate, thermostatic control

Short Form Specification

Item No. _____

Smooth cooking surface in mild steel. 10 kW gas powered burners with thermostatic valve and self stabilizing flame. To be installed on open base installations, bridging supports or cantilever systems. Removable drawer below the cooking surface for the collection of grease and fat. Body and work top of unit entirely in stainless steel with Scotch Brite finish. Extra strength work top in heavy duty 2 mm stainless steel. Right-angled side edges to allow flush-fitting junction between units.

Main Features

- Unit to be mounted on open base cupboards, bridging supports or cantilever systems.
- Cooking surface in 15mm thick mild steel for optimum grilling results.
- Large drain hole on cooking surface permits the draining of fat into large 1 liter collector placed under the cooking surface.
- Stainless steel high splash guards on the rear and sides of cooking surface. Splash guards can be easily removed for cleaning and are dishwasher-safe.
- Piezo spark ignition with thermostatic valve for added safety.
- The special design of the control knob system guarantees against water infiltration.
- IPX5 water protection.

Construction

- Cooking surface to be completely smooth or completely ribbed.
- Unit is 930 mm deep to give a larger working surface area.
- All exterior panels in Stainless Steel with Scotch Brite finishing.
- AISI 304 stainless steel worktop, 2mm thick.
- Model has right-angled side edges to allow flush fitting joints between units, eliminating gaps and possible dirt traps.

Included Accessories

- 1 of Stopper for fry top with PNC horizontal plate (only for 391048) 206296

Optional Accessories

- Scraper for smooth plate fry tops PNC 164255
- Junction sealing kit PNC 206086
- Draught diverter, 120 mm diameter PNC 206126
- Matching ring for flue condenser, 120 mm diameter PNC 206127
- Support for bridge type installation, 800mm PNC 206137
- Support for bridge type installation, 1000mm PNC 206138
- Support for bridge type installation, 1200mm PNC 206139
- Support for bridge type installation, 1400mm PNC 206140
- Support for bridge type installation, 1600mm PNC 206141
- Water drain for half module fry tops PNC 206153

APPROVAL: _____



Electrolux

Modular Cooking Range Line
900XP Half Module Gas Fry Top, Mild Steel



Electrolux

**Modular Cooking Range Line
900XP Half Module Gas Fry Top,
Mild Steel**

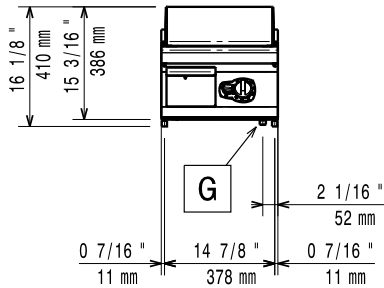
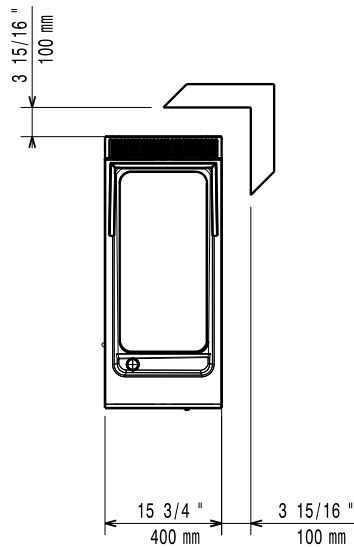
- Support for bridge type installation, 400mm PNC 206154
- Water column with swivel arm (water column extension not included) PNC 206289
- Water column extension for 900 line PNC 206290
- Stopper for fry top with horizontal plate (only for 391048) PNC 206296
- Flue condenser for 1/2 module, 120 mm diameter PNC 206310
- Grease/oil kit container for 700 line frytops (half and module) and 900 line frytops (module) PNC 206346
- Chimney grid net, 400mm (700XP/900) PNC 206400
- Scraper for ribbed plate fry tops - kit includes knife blades for both smooth and ribbed surface (only for 391049) PNC 206420
- Side handrail-right/left hand (900XP) PNC 216044
- Frontal handrail, 400mm PNC 216046
- Frontal handrail, 800mm PNC 216047
- Frontal handrail, 1200mm PNC 216049
- Frontal handrail, 1600mm PNC 216050
- Large handrail - portioning shelf, 400mm PNC 216185
- Large handrail - portioning shelf, 800mm PNC 216186
- 2 side covering panels for top appliances PNC 216278
- Pressure regulator for gas units PNC 927225



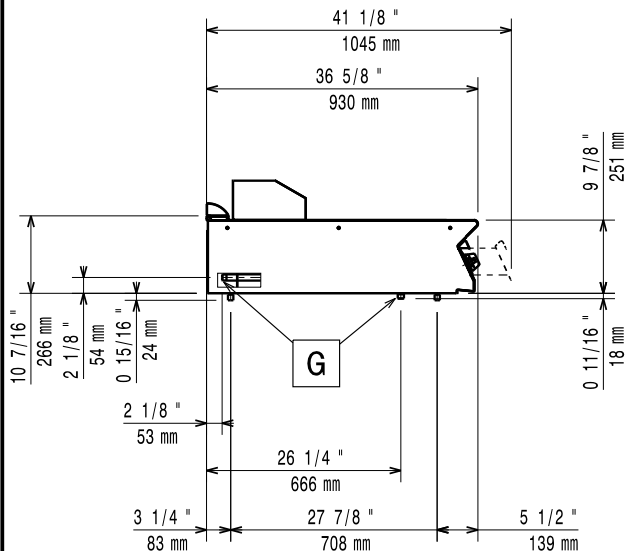
**Modular Cooking Range Line
900XP Half Module Gas Fry Top, Mild Steel**

The company reserves the right to make modifications to the products without prior notice. All information correct at time of printing.

2015.12.03

Front

Top


EQ = Equipotential screw
G = Gas connection

Side


Gas

Gas Power:

391048 (E9FTGDHS00)	34090 Btu/hr (10 kW)
391049 (E9FTGDSR00)	34090 Btu/hr (10 kW)

Gas Type Option:

LPG; Natural Gas

Gas Inlet:

1/2"

Natural gas - Pressure:

391048 (E9FTGDHS00)	7" w.c. (17.4 mbar)
---------------------	---------------------

LPG Gas Pressure:

391048 (E9FTGDHS00)	11" w.c. (27.7 mbar)
---------------------	----------------------

Key Information:

Cooking surface width:	330 mm
Cooking surface depth:	700 mm
Working Temperature MIN:	90 °C
Working Temperature MAX:	280 °C
Net weight:	55 kg
Shipping weight:	60 kg
Shipping height:	580 mm
Shipping width:	460 mm
Shipping depth:	1020 mm
Shipping volume:	0.3 m ³

If appliance is set up or next to or against temperature sensitive furniture or similar, a safety gap of approximately 150 mm should be maintained or some form of heat insulation fitted.