



Electrolux

Modular Cooking Range Line 900XP Gas Pasta Cooker, 1 Well, 40 litres

ITEM # _____

MODEL # _____

NAME # _____

SIS # _____

AIA # _____



Modular Cooking Range Line
900XP Gas Pasta Cooker, 1 Well, 40 litres
391111 (E9PCGD1MF0) 40-lt gas pasta cooker with 1 well

Short Form Specification

Item No. _____

High efficiency 16.5 kW burners. Suitable for natural gas or LPG. Constant starch removal during the cooking process. The 40 liter tank is pressed in 316-L type stainless steel to protect against corrosion. Control panel with gas cock and piezo ignition. Safety thermostat prevents the machine from working without water. Height adjustable feet in stainless steel. Exterior panels in stainless steel. Worktop in 20/10, stainless steel. Right angled side edges eliminate gaps and possible dirt traps between units.

Main Features

- In addition to cooking pasta, the appliance can be used for noodles of every kind, rice, dumplings and vegetables.
- High efficiency 16.5 kW burners in stainless steel with flame failure device and power settings for each well, located below the well.
- Water basin in 316-L type Stainless steel.
- Water basin is seamlessly welded into the top of the appliance.
- Provided with integrated drip zone on which baskets can be placed for draining purposes.
- 40 liters water basin.
- Automatic starch removal function during cooking: improved water quality over time.
- Automatic low-water level shut-off: no accidental over-heating.
- Easy-to-use control panel with gas cock and piezo ignition.
- All major compartments located in front of unit for ease of maintenance.
- Continuous water filling regulated through a manual water tap.
- Large drain with manual ball-valve for fast emptying of well.
- ESD available as accessory (installed separately): energy saving device uses heat produced by water drained through the overflow to pre-heat tap-in water up to 60°C, for constant water boiling.
- EnergyControl: unique feature for fine power adjustment to control boiling level and optimize energy consumption.
- Thermocouple device for added safety.
- Automatic lifting system (optional accessory): 200mm wide unit with three stainless steel basket supports, holding one GN 1/3 basket each, to be placed on either or both sides of machine to provide automatic lifting for six small portion baskets (to be ordered separately). Possibility to memorize nine cooking times through digital control.
- IPX5 water resistance certification.
- The special design of the control knob system guarantees against water infiltration.
- One piece pressed 2 mm work top in Stainless steel.
- Unit delivered with four 50 mm legs in stainless steel as standard (all round Stainless steel kick plates as option).

Construction

- All exterior panels in Stainless Steel with Scotch Brite finishing.
- Model has right-angled side edges to allow flush fitting joints between units, eliminating gaps and possible dirt traps.

Included Accessories

- 1 of Door for open base cupboard PNC 206350

Optional Accessories

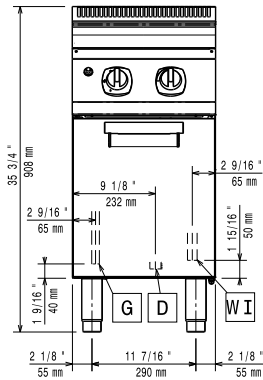
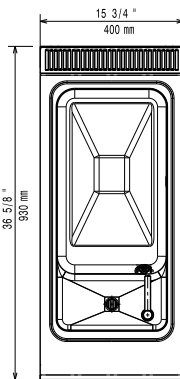
APPROVAL: _____



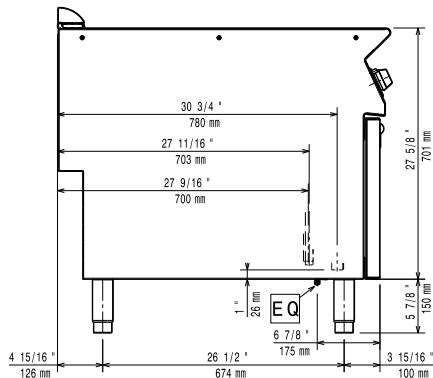
Electrolux

Modular Cooking Range Line
900XP Gas Pasta Cooker, 1 Well, 40 litres

- | | | | |
|---|-----------------|--|--------------|
| • Junction sealing kit | PNC 206086
☐ | • Chimney grid net, 400mm (700XP/900) | PNC 206400 ☐ |
| • Draught diverter, 120 mm diameter | PNC 206126
☐ | • Side handrail-right/left hand (900XP) | PNC 216044 ☐ |
| • Matching ring for flue condenser, 120 mm diameter | PNC 206127 ☐ | • Frontal handrail, 400mm | PNC 216046 ☐ |
| • Kit 4 wheels - 2 swivelling with brake - it is mandatory to install base support and wheels | PNC 206135
☐ | • Frontal handrail, 800mm | PNC 216047 ☐ |
| • Flanged feet kit | PNC 206136
☐ | • Frontal handrail, 1200mm | PNC 216049 ☐ |
| • Frontal kicking strip for concrete installation, 400mm | PNC 206147 ☐ | • Frontal handrail, 1600mm | PNC 216050 ☐ |
| • Frontal kicking strip for concrete installation, 800mm | PNC 206148
☐ | • 2 side covering panels for free standing appliances | PNC 216134 ☐ |
| • Frontal kicking strip for concrete installation, 1000mm | PNC 206150
☐ | • Large handrail - portioning shelf, 400mm | PNC 216185 ☐ |
| • Frontal kicking strip for concrete installation, 1200mm | PNC 206151 ☐ | • Large handrail - portioning shelf, 800mm | PNC 216186 ☐ |
| • Frontal kicking strip for concrete installation, 1600mm | PNC 206152
☐ | • 3x1/3GN baskets for 40lt pasta cookers | PNC 927210 ☐ |
| • Pair of side kicking strips for concrete installation | PNC 206157
☐ | • 2x1/2GN baskets for 40lt pasta cookers | PNC 927211 ☐ |
| • Frontal kicking strip, 400mm (not for refr-freezer base) | PNC 206175
☐ | • 3 round baskets diam. 181mm for 40lt pasta cookers (927219 must be ordered together) | PNC 927212 ☐ |
| • Frontal kicking strip, 800mm (not for refr-freezer base) | PNC 206176 ☐ | • 6 round baskets for 40-lt pasta cookers (927219 must be ordered together) | PNC 927213 ☐ |
| • Frontal kicking strip, 1000mm (not for refr-freezer base) | PNC 206177
☐ | • 1x1/1GN basket for 40lt pasta cookers | PNC 927216 ☐ |
| • Frontal kicking strip, 1200mm (not for refr-freezer base) | PNC 206178
☐ | • Grid support for 40lt pasta cooker round baskets | PNC 927219 ☐ |
| • Frontal kicking strip, 1600mm (not for refr-freezer base) | PNC 206179
☐ | • Pressure regulator for gas units | PNC 927225 ☐ |
| • Pair of side kicking strips (not for refr-freezer base) | PNC 206180
☐ | • Upper support frame to hold 6 round baskets for 40lt pasta cookers (alternative to 927219 for 6 round baskets) | PNC 960644 ☐ |
| • 2 panels for service duct for single installation | PNC 206181 ☐ | | |
| • Lid and lid holder for 40lt pasta cookers | PNC 206190
☐ | | |
| • 2 panels for service duct for back to back installation | PNC 206202
☐ | | |
| • Kit 4 feet for concrete installation (not for 900 line free standing grill) | PNC 206210
☐ | | |
| • Set of ergonomic baskets for 40lt pasta cookers | PNC 206233
☐ | | |
| • 1 single portion square basket for 40lt pasta cookers (max. 6 each 40lt well) 206238 must be ordered together | PNC 206236
☐ | | |
| • 1 ergonomic basket for 40lt pasta cookers | PNC 206237
☐ | | |
| • False bottom for 40lt pasta cooker square baskets | PNC 206238
☐ | | |
| • Water column with swivel arm (water column extension not included) | PNC 206289
☐ | | |
| • Chimney upstand, 400mm | PNC 206303
☐ | | |
| • Flue condenser for 1/2 module, 120 mm diameter | PNC 206310
☐ | | |
| • Energy saving device for pasta cookers | PNC 206344
☐ | | |
| • Door for open base cupboard | PNC 206350
☐ | | |
| • Automatic programmable basket lifting system for 40lt pasta cookers, 3 lifters | PNC 206353
☐ | | |
| • Base support for feet or wheels - 400mm (700/900) | PNC 206366
☐ | | |

Front

Top


D = Drain
EQ = Equipotential screw
G = Gas connection

Side


Gas

Gas Power:	
391111 (E9PCGD1MF0)	56248.5 Btu/hr (16.5 kW)
Gas Type Option:	LPG; Natural Gas
Gas Inlet:	1/2"
Natural gas - Pressure:	7" w.c. (17.4 mbar)
LPG Gas Pressure:	11" w.c. (27.7 mbar)

Water:

Drain "D":	1"
Incoming Cold/hot Water line size:	3/4"
Total hardness:	5-50 ppm

Electrolux recommends the use of treated water, based on testing of specific water conditions.

Please refer to user manual for detailed water quality information.

Key Information:

Usable well dimensions (width):	300 mm
Usable well dimensions (height):	260 mm
Usable well dimensions (depth):	520 mm
Well Capacity (MAX):	40 lt MAX
Net weight:	62 kg
Shipping weight:	65 kg
Shipping height:	1080 mm
Shipping width:	460 mm
Shipping depth:	1020 mm
Shipping volume:	0.53 m ³

If appliance is set up or next to or against temperature sensitive furniture or similar, a safety gap of approximately 150 mm should be maintained or some form of heat insulation fitted.