



# Electrolux

## Modular Cooking Range Line 900XP Electric Bratt Pan 100lt with Duomat bottom, auto tilting

ITEM # \_\_\_\_\_

MODEL # \_\_\_\_\_

NAME # \_\_\_\_\_

SIS # \_\_\_\_\_

AIA # \_\_\_\_\_



Modular Cooking Range Line

900XP Electric Bratt Pan 100lt with Duomat  
bottom, auto tilting

**391150 (E9BREJDPFM)**

100-lt electric automatic  
tilting braising pan with  
Duomat cooking surface,  
thermostatic control

### Short Form Specification

Item No. \_\_\_\_\_

Infrared heating elements positioned below the cooking surface. Duomat cooking surface for roasting, browning, stewing, preparation of sauces, sautéing, boiling and braising. Can be installed on cantilever systems. Includes mechanism to automatically tilt the pan and double-skinned lid in stainless steel. Cooking temperature can be set through thermostat and the energy input through an energy regulator. Exterior panels of unit in stainless steel with Scotch Brite finish. Right-angled side edges to allow flush-fitting junction between units.

### Main Features

- Bratt pan ideal for sautéing, poaching, steaming, boiling, stewing and damp cooking.
- Duomat cooking surface allows to perform wet and dry cooking alternatively.
- Double-skin well and lid to reduce heat dispersion.
- Infrared heating elements mounted below the cooking surface.
- Lid is double-lined, insulated in 20/10 Stainless steel.
- IPX5 water resistance certification.
- Actual cooking temperature setting through adjustable thermostat.
- Working temperature can be set from 120 °C to 300 °C.
- Energy input controlled by energy regulator.
- Heat-insulated: limited heat radiation and low energy consumption.
- Automatic tilting mechanism to facilitate pan emptying.
- Smooth large surfaces, easy access for cleaning.
- The special design of the control knob system guarantees against water infiltration.

### Construction

- Cooking surface with Duomat bottom: a 10 mm-thick alloy obtained from the combination of 2 different stainless steels for better thermal stability and corrosion resistance.
- All pan internal surfaces round and polished for better hygiene.
- All exterior panels in Stainless Steel with Scotch Brite finishing.
- Model has right-angled side edges to allow flush fitting joints between units, eliminating gaps and possible dirt traps.

### Optional Accessories

- Kit 4 wheels - 2 swivelling with brake - it is mandatory to install base support and wheels PNC 206135
- Flanged feet kit PNC 206136
- Frontal kicking strip, 1000mm (not for refr-freezer base) PNC 206177
- Frontal kicking strip, 1200mm (not for refr-freezer base) PNC 206178

APPROVAL: \_\_\_\_\_



Electrolux

900XP Electric Bratt Pan 100lt with Duomat bottom, auto tilting  
Modular Cooking Range Line



**Electrolux**

**Modular Cooking Range Line  
900XP Electric Bratt Pan 100lt with  
Duomat bottom, auto tilting**

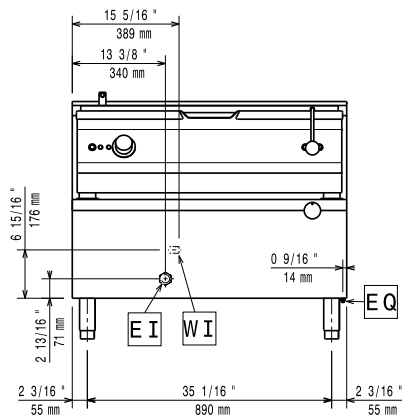
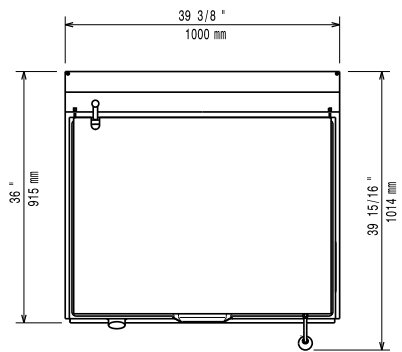
- Frontal kicking strip, 1600mm (not for refr-freezer base)  PNC 206179
- Pair of side kicking strips (not for refr-freezer base)  PNC 206180
- 2 panels for service duct for single installation  PNC 206181
- 2 panels for service duct for back to back installation  PNC 206202
- Chimney upstand, 1000mm  PNC 206305
- Base support for feet or wheels - 800mm (700/900)  PNC 206367
- Rear paneling - 1000mm (700/900)  PNC 206375
- Rear paneling - 1200mm (700/900)  PNC 206376



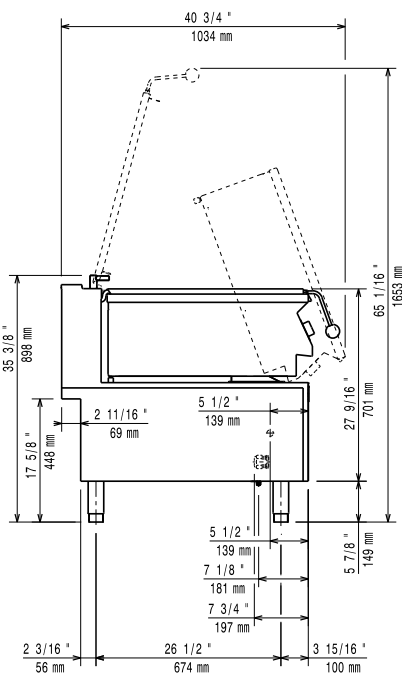
**Modular Cooking Range Line  
900XP Electric Bratt Pan 100lt with Duomat bottom, auto tilting**

The company reserves the right to make modifications to the products without prior notice. All information correct at time of printing.

2015.12.03

**Front**

**Top**


- CWI = Cold Water inlet
- EI = Electrical connection
- EQ = Equipotential screw

**Side**

**Electric**

Supply voltage:  
391150 (E9BREJDPFM) 400 V/3N ph/50/60 Hz  
Total Watts: 17 kW

**Key Information:**

Cooking Surface Depth: 565 mm  
Cooking Surface Width: 880 mm  
Cooking Well Height: 130 mm  
Well Capacity, Max: 100 lt  
Working Temperature MIN: 120 °C  
Working Temperature MAX: 300 °C  
Net weight: 180 kg  
Shipping weight: 200 kg  
Shipping height: 1040 mm  
Shipping width: 1020 mm  
Shipping depth: 1100 mm  
Shipping volume: 1.17 m<sup>3</sup>

No clearance needed on rear sides of unit if wall is of non combustible type. If wall is combustible, minimum 50 mm wall clearance should be maintained.