



Electrolux

Modular Cooking Range Line 900XP Base Cupboard 1/4 Module with Bottle Drawer

ITEM # _____

MODEL # _____

NAME # _____

SIS # _____

AIA # _____



Modular Cooking Range Line
900XP Base Cupboard 1/4 Module with Bottle
Drawer

391152 (E9BANB000E) Base cupboard with drawer
for bottles, 1/4 module

Short Form Specification

Item No. _____

To be installed below other 900XP top units in island type installations with operations from one side. Body and internal structure of unit entirely in stainless steel. Drawer for bottles. Delivered with 50 mm height adjustable feet.

Main Features

- Unit can be easily installed below other 900 line top models.
- Unit delivered with 50 mm height adjustable feet in Stainless steel.
- Base compartment for storage of pots, pans, sheet pans, etc.
- Doors with handles, drawers, heating kits and runners for GN containers can be ordered separately.

Construction

- Constructed in Stainless steel with Scotch Brite finish to meet the highest hygiene standards.

Optional Accessories

- Kit 4 wheels - 2 swivelling with brake - it is mandatory to install base support and wheels PNC 206135
- Flanged feet kit PNC 206136
- Frontal kicking strip for concrete installation, 200mm PNC 206146
- Frontal kicking strip for concrete installation, 400mm PNC 206147
- Frontal kicking strip for concrete installation, 800mm PNC 206148
- Frontal kicking strip for concrete installation, 1000mm PNC 206150
- Frontal kicking strip for concrete installation, 1200mm PNC 206151
- Frontal kicking strip for concrete installation, 1600mm PNC 206152
- Pair of side kicking strips for concrete installation PNC 206157
- Frontal kicking strip, 200mm (not for refr-freezer base) PNC 206174
- Frontal kicking strip, 400mm (not for refr-freezer base) PNC 206175
- Frontal kicking strip, 800mm (not for refr-freezer base) PNC 206176
- Frontal kicking strip, 1000mm (not for refr-freezer base) PNC 206177
- Frontal kicking strip, 1200mm (not for refr-freezer base) PNC 206178
- Frontal kicking strip, 1600mm (not for refr-freezer base) PNC 206179
- Pair of side kicking strips (not for refr-freezer base) PNC 206180
- Kit 4 feet for concrete installation (not for 900 line free standing grill) PNC 206210
- Water column with swivel arm (water column extension not included) PNC 206289

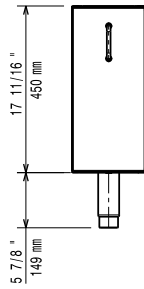
APPROVAL: _____



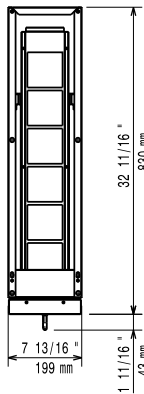
Electrolux

900XP Base Cupboard 1/4 Module with Bottle Drawer
Modular Cooking Range Line

Front

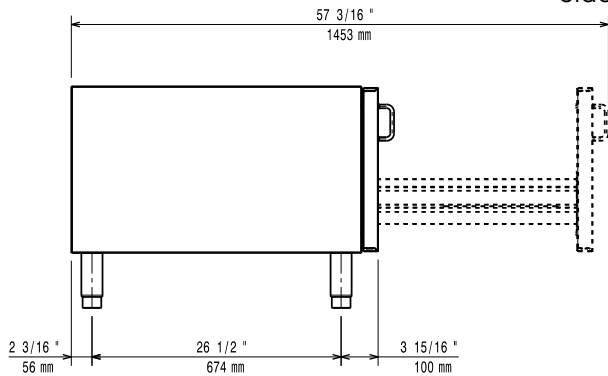


Top



EQ = Equipotential screw

Side



Key Information:

External dimensions, Height:	
391152 (E9BANB00OE)	600 mm
External dimensions, Width:	200 mm
External dimensions, Depth:	900 mm
Net weight:	14 kg