



Electrolux

Modular Cooking Range Line 900XP 400 mm Open Base 1/2 Module

ITEM # _____

MODEL # _____

NAME # _____

SIS # _____

AIA # _____



Electrolux



Modular Cooking Range Line

900XP 400 mm Open Base 1/2 Module

391153 (E9BAND0000)

Open base cupboard, 1/2
module

Short Form Specification

Item No. _____

To be installed below other 900XP top units in island type installations with operations from one side. Open base to store pots, pans, sheet pans etc. Body and internal structure of unit entirely in stainless steel. Delivered with 150 mm height adjustable feet.

Main Features

- Unit can be easily installed below other 900 line top models.
- Unit delivered with 50 mm height adjustable feet in Stainless steel.
- Open base compartment for storage of pots, pans, sheet pans, etc.
- Doors with handles, drawers, heating kits and runners for GN containers can be ordered separately.

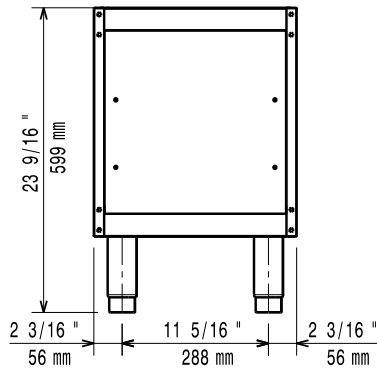
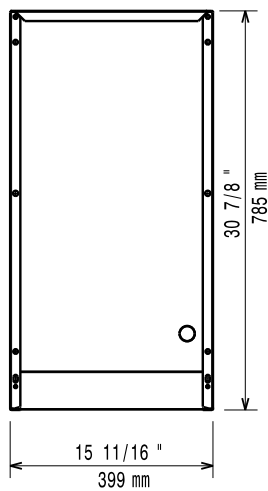
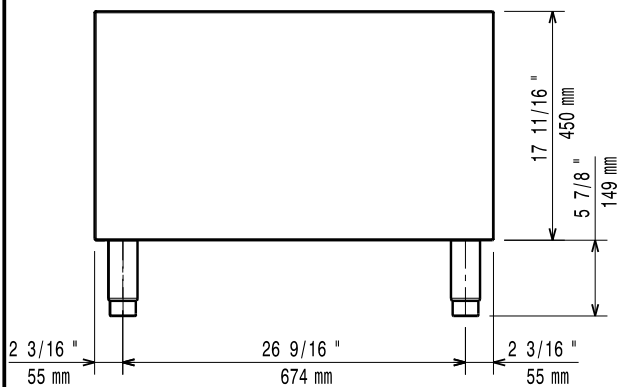
Construction

- Constructed in Stainless steel with Scotch Brite finish to meet the highest hygiene standards.
- Unit is 930 mm deep to give a larger working surface area.

APPROVAL: _____

Optional Accessories

- Kit 4 wheels - 2 swivelling with brake PNC 206135
- it is mandatory to install base support and wheels
- Flanged feet kit PNC 206136
- 2 supports runners for open base cupboard 400mm for GN1/1 PNC 206145
- Frontal kicking strip for concrete installation, 400mm PNC 206147
- Frontal kicking strip for concrete installation, 800mm PNC 206148
- Frontal kicking strip for concrete installation, 1000mm PNC 206150
- Frontal kicking strip for concrete installation, 1200mm PNC 206151
- Frontal kicking strip for concrete installation, 1600mm PNC 206152
- Frontal kicking strip, 400mm (not for refr-freezer base) PNC 206175
- Frontal kicking strip, 800mm (not for refr-freezer base) PNC 206176
- Frontal kicking strip, 1000mm (not for refr-freezer base) PNC 206177
- Frontal kicking strip, 1200mm (not for refr-freezer base) PNC 206178
- Frontal kicking strip, 1600mm (not for refr-freezer base) PNC 206179
- Pair of side kicking strips (not for refr-freezer base) PNC 206180
- Kit 4 feet for concrete installation (not for 900 line free standing grill) PNC 206210
- Electric heating kit for cupboards PNC 206259
- Water column with swivel arm (water column extension not included) PNC 206289
- 2 drawers for open base cupboards, 100mm height PNC 206334
- Door for open base cupboard PNC 206350
- 2 DRAWERS (H=100MM) BASE 900 LINE-OEM PNC 206361
- Wok pan support for open burners (700/900) PNC 206363
- Base support for feet or wheels - 400mm (700/900) PNC 206366
- Base support for feet or wheels - 800mm (700/900) PNC 206367
- Base support for feet or wheels - 1200mm (700/900) PNC 206368
- Base support for feet or wheels - 1600mm (700/900) PNC 206369
- Base support for feet or wheels - 2000mm (700/900) PNC 206370

Front

Top

EQ = Equipotential screw
Side

Key Information:

External dimensions, Height:	
391153 (E9BAND0000)	600 mm
External dimensions, Width:	400 mm
External dimensions, Depth:	785 mm
Net weight:	22 kg