



Electrolux

Modular Cooking Range Line 900XP Gas Bratt Pan 80lt with Duomat bottom

ITEM # _____

MODEL # _____

NAME # _____

SIS # _____

AIA # _____



Modular Cooking Range Line
900XP Gas Bratt Pan 80lt with Duomat bottom
391226 (E9BRGHDOF0) 80-lt gas tilting braising pan
with Duomat cooking
surface, thermostatic control

Short Form Specification

Item No. _____

Suitable for natural gas or LPG. Burners in AISI 441 with flame failure device. Duomat cooking surface for roasting, browning, stewing, preparation of sauces, sautéing, boiling and braising. Can be installed on cantilever systems. Includes mechanism to manually tilt the pan and double-skinned lid in stainless steel. Cooking temperature can be set through thermostat and the energy input through an energy regulator. Exterior panels of unit in stainless steel with Scotch Brite finish. Right-angled side edges to allow flush-fitting junction between units.

Main Features

- Bratt pan ideal for sautéing, poaching, steaming, boiling, stewing and damp cooking.
- Duomat cooking surface allows to perform wet and dry cooking alternatively.
- Double-skin well and lid to reduce heat dispersion.
- Lid is double-lined, insulated in 20/10 Stainless steel.
- IPX5 water resistance certification.
- Actual cooking temperature setting through adjustable thermostat.
- Working temperature can be set from 120 °C to 300 °C.
- Energy input controlled by energy regulator.
- Heat-insulated: limited heat radiation and low energy consumption.
- Manual tilting mechanism to facilitate pan emptying.
- Smooth large surfaces, easy access for cleaning.
- The special design of the control knob system guarantees against water infiltration.

Construction

- Cooking surface with Duomat bottom: a 10 mm-thick alloy obtained from the combination of 2 different stainless steels for better thermal stability and corrosion resistance.
- All pan internal surfaces round and polished for better hygiene.
- All exterior panels in Stainless Steel with Scotch Brite finishing.
- Model has right-angled side edges to allow flush fitting joints between units, eliminating gaps and possible dirt traps.
- Burners in AISI 441 against corrosion and thanks to a high strength yield, are resistant to high temperature.

Optional Accessories

- Draught diverter, 150 mm diameter PNC 206132
- Matching ring for flue condenser, 150 mm diameter PNC 206133
- Kit 4 wheels - 2 swivelling with brake - it is mandatory to install base support and wheels PNC 206135
- Flanged feet kit PNC 206136

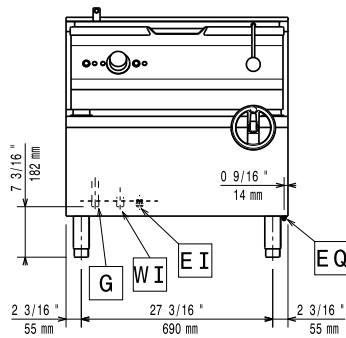
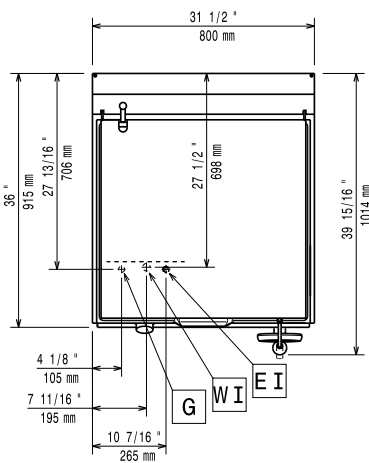
APPROVAL: _____



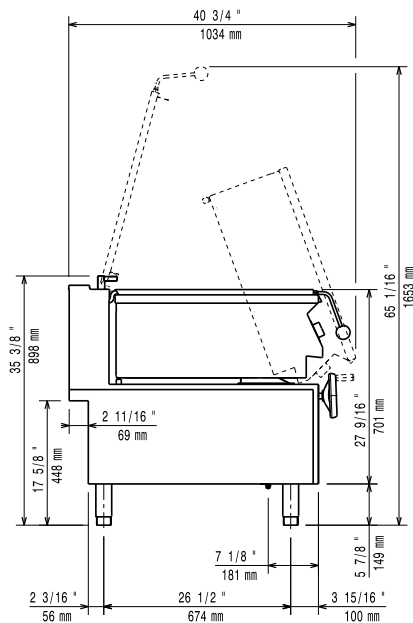
Electrolux

Modular Cooking Range Line
900XP Gas Bratt Pan 80lt with Duomat bottom

- Frontal kicking strip, 800mm (not for refr-freezer base) PNC 206176
- Frontal kicking strip, 1000mm (not for refr-freezer base) PNC 206177
- Frontal kicking strip, 1200mm (not for refr-freezer base) PNC 206178
- Frontal kicking strip, 1600mm (not for refr-freezer base) PNC 206179
- Pair of side kicking strips (not for refr-freezer base) PNC 206180
- 2 panels for service duct for single installation PNC 206181
- 2 panels for service duct for back to back installation PNC 206202
- Flue condenser for 1 module, 150 mm diameter PNC 206246
- Chimney upstand, 800mm PNC 206304
- Base support for feet or wheels - 800mm (700/900) PNC 206367
- Chimney grid net, 400mm (700XP/900) PNC 206400
- Pressure regulator for gas units PNC 927225

Front

Top


- CWI** = Cold Water inlet
EI = Electrical connection
EQ = Equipotential screw
G = Gas connection

Side


Electric

Supply voltage:
391226 (E9BRGHDOF0) 230 V/1N ph/50 Hz
Total Watts: 0.1 kW

Gas

Gas Power: 71589 Btu/hr (21 kW)
Gas Type Option: LPG; Natural Gas
Gas Inlet: 1/2"
Natural gas - Pressure: 7" w.c. (17.4 mbar)
LPG Gas Pressure: 11" w.c. (27.7 mbar)

Key Information:

Cooking Surface Depth: 565 mm
Cooking Surface Width: 680 mm
Cooking Well Height: 130 mm
Well Capacity, Max: 80 lt
Working Temperature MIN: 120 °C
Working Temperature MAX: 300 °C
Net weight: 150 kg
Shipping weight: 165 kg
Shipping height: 1080 mm
Shipping width: 1020 mm
Shipping depth: 860 mm
Shipping volume: 0.95 m³

No clearance needed on rear sides of unit if wall is of non combustible type. If wall is combustible, minimum 50 mm wall clearance should be maintained.