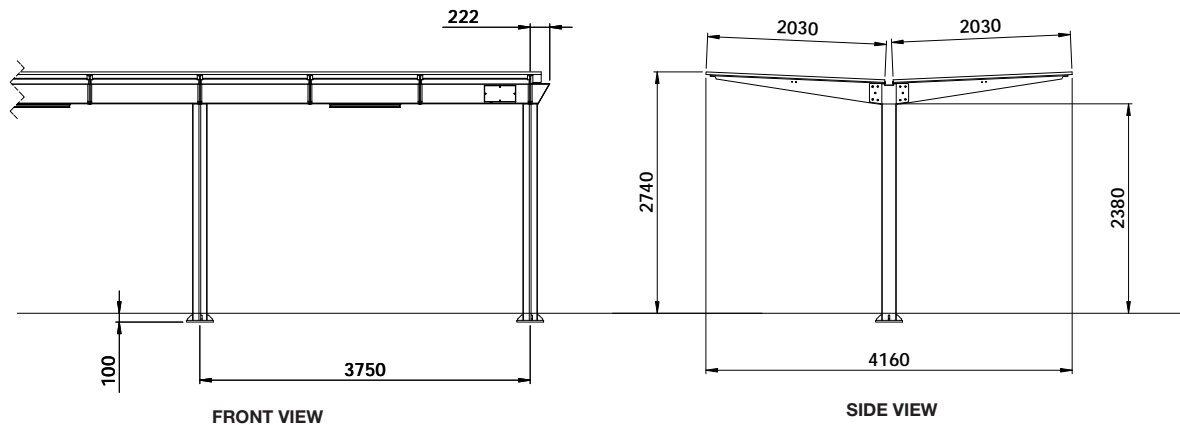


STANDARD PRODUCT

WELLINGTON DOUBLE-SIDED WALKWAY



Dimensions (mm):

Overall: 4160D x 2740H
Internal: 4160D x 2380H
Module Length: 3750

Finishes:

Powder Coated Aluminium Frame
Refer to Dulux Powder Coat colours

Features:

Aluminium roof
LED lighting
Internal drainage
Concealed footings
Scaleable Design
Modular design

Optional extras:

Wall panels (glass or mesh)
Windbreaks
Solar powered lighting
Drainage to surface

P: 1300 557 654
W: stoddartinfrastucture.com.au
E: info@stoddartinfrastucture.com.au

Copyright Stoddart Infrastructure. All rights reserved.



STODDART[®]

INFRASTRUCTURE