

COMMERCIAL SINKS

Tilt Wall Cleaners Sink



The Cleaners Sink from Stoddart is the safe cleaning solution for all commercial buildings, where wall penetration is not an option.

It has a unique easy mount bracket to secure the unit to most walls without need for unsightly legs and keeps the floor area clear for better housekeeping and safety. Also available with legs.

The bowl comes complete with 90mm basket waste for catching solids and a strong hinged grate for supporting mop buckets.



Models:

SPPL.CS.06

Code explanation:

SPPL = Standard Product Plumbing

CS = Cleaners sink

06 = Boxed splashback

PG = Plumbed with nominated tapware for quick and easy installation on site

eg.: for specification and ordering

SPPL.CS.06.PG

Tapware Alternatives:



CMPL.0968 CMPL.0969



CMPL.0970

Features and Benefits:

- Optional front legs can be ordered if unit is to be mounted on non-structural walls.
- Welded stainless steel grate has six bars for stable support of buckets while filling and draining.
- Highly polished, 44L capacity bowl is 235mm deep to reduce splashing.
- Strong, safe hinges allow grate to be lifted for access to bowl.
- Sound suppression pad under base of bowl reduces noise.
- Rolled edges for operator and installer safety.
- 90mm waste comes with a waste basket for catching solids.
- All optional tapware are WELS and Watermark approved.



Proudly Manufactured
in Australia

Due to product research and development, the information contained herein is subject to change without notification

Data Sheet Revision Date 17/02/2016

Manufactured by:

Tom Stoddart Pty Ltd. ABN 16 009690251
39 Forest Way, Karawatha 4117, Queensland Australia

Specifications:

Construction: Pressed 304 grade bowl with 1.2mm 304 grade stainless splashback, no.4 satin finish.

Waste Connection: 90mm, supplied with basket waste.

Unit Fixing: Unit is supplied with heavy duty, easy mount bracket eliminating the need for ugly front legs, simplifying cleaning, front legs can be added if necessary. Custom made 600 high Splashback with 50mm void for easily fitting breaching piece behind for walls that pipe work cannot be recessed into. Recommended fixing height is 500-700mm from top of bowl to floor finished level. Legs are 649mm tall.

Models:

SPPL.CS.06

Code explanation:

SPPL = Standard Product Plumbing

CS = Cleaners sink

06 = Boxed splashback

PG = Plumbed with galvin tapware for quick and easy installation on site

eg.: for specification and ordering

SPPL.CS.06.PG

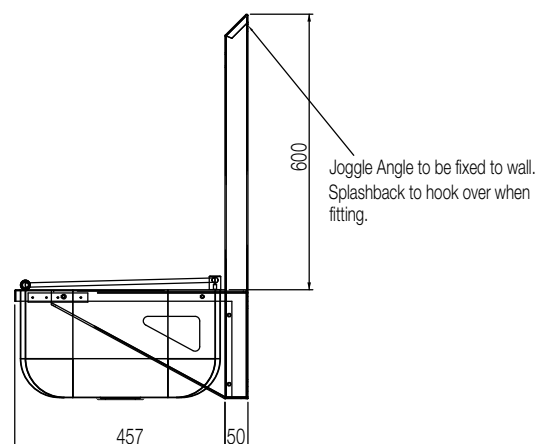
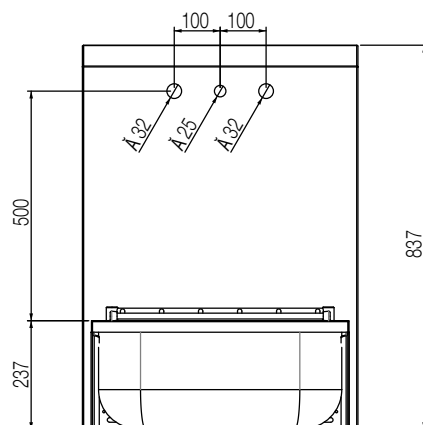
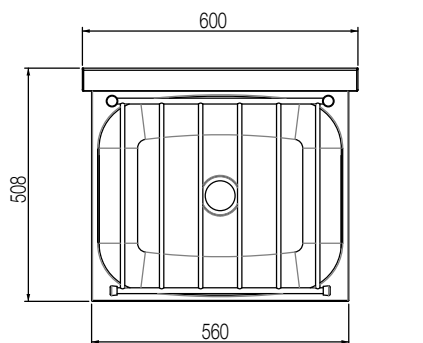
Tapware Alternatives:



CMPL.0968 CMPL.0969



CMPL.0970



Model No.	Width (mm)	Length (mm)	Height (mm)
SPPL.CS.06	508	600	837 with splashback