

BASINS

Wash Basin Knee Operated - Type 3



Stoddart designed and introduced the Knee Operated Wash Basin with the full front knee operated panel to provide easy access to hygienic hand washing. A simple nudge with either your left or right knee or thigh activates the timed water flow.

This commercial kitchen unit comes with an integrated stainless steel splashback with bevelled top to comply with the health and plumbing requirements. Integrated splashback allows fascia mount without need to run pipe in wall.

The most popular option for kitchens has a tempering valve supplied if required.

With the optional Tempering valve, this basin meets AS 4674 for the design, construction & fit out of food premises.



Models:

SPPL.WB.KO3.xx

Code explanation:

SPPL = Standard Product Plumbing

WB = Wash basin

KO3 = Knee operated, with lower plumbing shroud and splashback mounted spout

xx = TV - tempering valve

= TMVE - thermostatic mixing valve

eg.: for specification and ordering

SPPL.WB.KO3.TV

Mixing Valves:



TV
Tempering
Valve



TMVE
Thermostatic
Mixing Valve

Features and Benefits:

- Meets the requirements for hand washing in food premises as detailed in AS4674:2004 (4.4).
- Full front panel Easy Push button can easily be activated with either left or right knee for hygienic, hands free use.
- Timed flow valve provides effective hand washing and saves water.
- Includes hygienic, aerated, WELS rated high rise spout for easy access and minimum splash.
- Plumbing components supplied with this fixture are marked with watermark licence.
- Integrated splashback, spout and shroud enclose plumbing for maximum kitchen hygiene.
- Sturdy stainless steel construction ensures lifelong service.
- Easy mount stainless steel bracket has multiple fixing holes for quick installation by plumber.
- Approved for wheel chair disabled access.



Suitable for use where disabled access is required



Proudly Manufactured in Australia

Due to product research and development, the information contained herein is subject to change without notification

Data Sheet Revision Date 17/02/2016

Manufactured by:

Tom Stoddart Pty Ltd. ABN 16 009690251
39 Forest Way, Karawatha 4117, Queensland Australia

Specifications:

- Construction:** 304 grade stainless steel construction, Knee operated valve and spout are pre-plumbed.
- Water Supply:** 15mm (1/2" BSP). For addition of optional TV or TMVE, hot and cold supplies are required. Component claimed temperature control;
- Thermostatic Mixing Valve = +/- 2 deg C
 - Tempering Valve = +/- 3 Deg C
- Additional water strainer/filter to protect valves from water-borne dirt and scale is fitted as standard.
- Waste Connection:** 40mm PVC waste supplied. (Trap by others)
- Unit Fixing:** Unit is supplied with wall mounting bracket with 10mm fixing holes. Basin is fixed with 6mm fixings. Optional TV or TMVE is supplied as a loose kit part for plumber to install in compliance with regulations.
- Fixing Height:** The unit should be mounted at 800 – 830 mm above finished floor level for disabled user access.

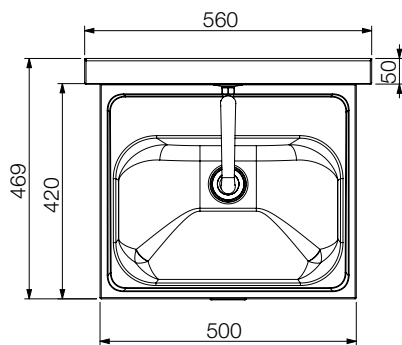
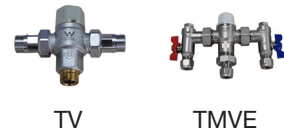
Models:

SPPL.WB.KO3.xx

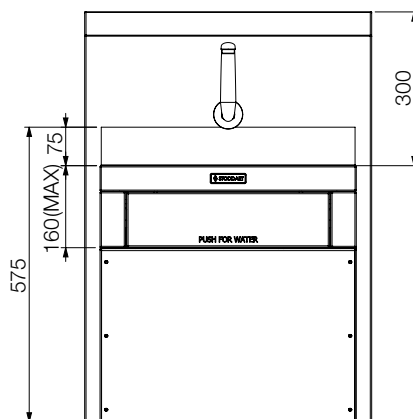
Code explanation:

- SPPL = Standard Product Plumbing
 WB = Wash basin
 KO3 = Knee operated, with lower plumbing shroud and splashback mounted spout
 xx = TV - tempering valve
 = TMVE - thermostatic mixing valve
 eg.: for specification and ordering
 SPPL.WB.KO3.TV

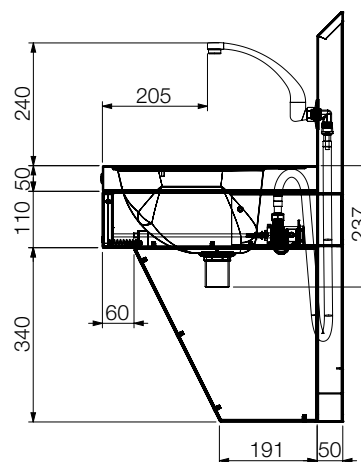
Mixing Valves:



PLAN VIEW



FRONT VIEW



END VIEW