

## BASINS

Wash Basin Secure Round  
- Disabled Access Compliant

The Round Security Wash Basin from Stoddart is designed for Access Bathrooms in public amenities where vandalism can be a costly problem.

Fully welded stainless steel construction gives superior strength and hygiene. Radius front edge minimises risk of user injury.



SPPL.WB.SR2.DA.NSB

### Features and Benefits:

- Semicircular shroud with rolled front edge for user safety.
- Vandal resistant, fully welded construction with secure access panel.
- Designed to enable access for people with disabilities. Meets the requirements for access as set out in AS1428.1 2009.
- Optional raised shelf at rear for placing small items while washing hands.
- The basin comes ready to install with simple bracket system to minimise site work time.
- All optional tapware are WELS and Watermark approved.



Suitable for use where disabled access is required



Proudly Manufactured in Australia



### Models:

#### SPPL.WB.SR2.DA

Code explanation:

SPPL = Standard Product Plumbing

WB = Wash basin

SR2 = Secure round - type 2

DA = Accessible for people with disabilities

.NP = No plumbing - hole provided for tapware by others

.NSB = No splashback

.VAR = Variation

eg.: for specification and ordering

SPPL.WB.SR2.DA.VAR

### Tapware Alternatives:



CMPL.0984



CMPL.0985



CMPL.0965



CMPL.0980



CMPL.1006

### Manufactured by:

Tom Stoddart Pty Ltd. ABN 16 009690251  
39 Forest Way, Karawatha 4117, Queensland Australia

### Specifications:

**Construction:** Fully welded 2.0mm 304 grade stainless steel construction, no.4 satin finish. (316 grade variation is available for marine environment).

**Water Supply:** 15mm (1/2" BSP) with water pressure to suit selected tap (dependant on tap ware or plumber).

**Waste Connection:** 40mm PVC waste supplied (Trap by others).

**Unit Fixing:** The unit is supplied with a wall mounting bracket with 10 mm fixing holes. Recommended fixing height from basin top to finished floor level is 800 - 830 mm.

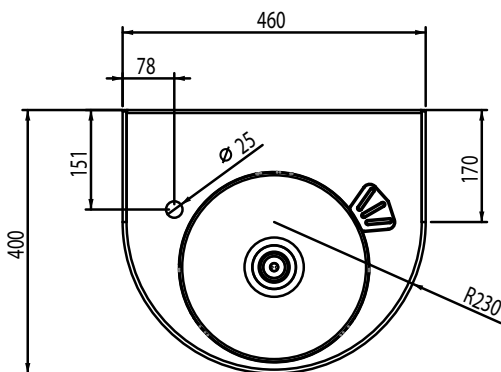
### Models:

#### SPPL.WB.SR2.DA

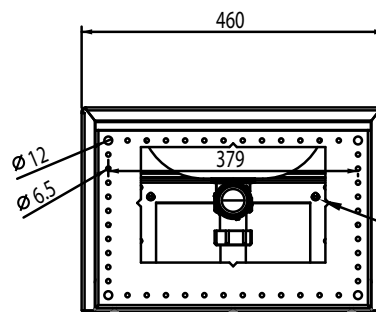
Code explanation:

SPPL = Standard Product Plumbing  
 WB = Wash basin  
 SR2 = Secure round - type 2  
 DA = Accessible for people with disabilities  
 .NP = No plumbing - hole provided for tapware by others  
 .NSB = No splashback  
 .VAR = Variation  
 eg.: for specification and ordering  
 SPPL.WB.SR2.DA.VAR

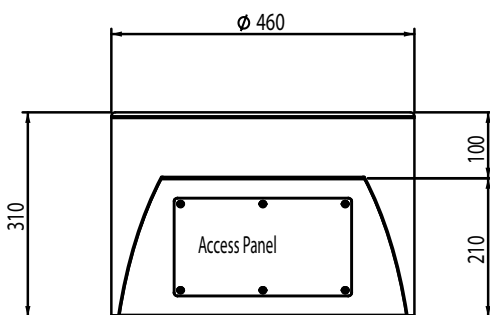
### Tapware Alternatives:



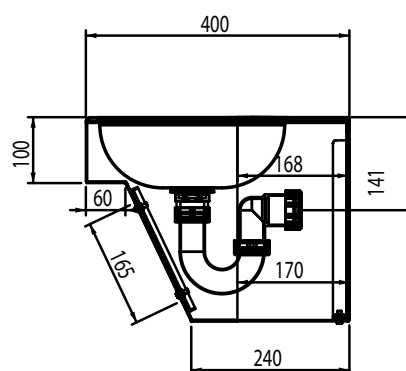
PLAN VIEW



REAR VIEW



FRONT VIEW



END VIEW

SPPL.WB.SR2.DA.NSB

Model No.	Width (mm)	Length (mm)	Height (mm)
SPPL.WB.SR2.DA	400	460	385
SPPL.WB.SR2.DA.NSB	400	400	310