

## BASINS

### Security Wash Basin Round Type 2 - Floor Mounted



The Floor Mounted Round Security Wash Basin from Stoddart withstands the heavy demands of institutional life with intrinsic safety features to ensure the avoidance of injury.

Pleasing aesthetics also make it ideal for use in public places where vandal resistance is a priority.

Ideal for use in correctional and detention centres, watch houses, universities, hospitals, public places and schools.



SPPL.WB.SR2.FM.LSA.E

#### Models:

#### SPPL.WB.SR2.FM.xx.yy.vv

Code explanation:

SPPL = Standard Product Plumbing

WB = Wash basin

SR2 = Security round - type 2

FM = Floor mounted

xx = SA - side access cover (LSA/RSA)

= RA - rear access via service duct

yy = E - electronic activation

= M - manual activation

= NB - no buttons (supplied by others)

vv = VAR - other variations

= T - toilet roll holder (optional)

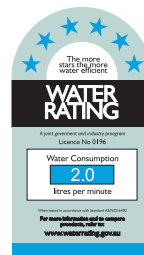
= WA - addition of sound suppression material & block behind bubbler

eg.: for specification and ordering

SPPL.WB.SR2.FM.SA.M.T

#### Features and Benefits:

- Valve and brass fittings have Watermark License for current hygiene and health standards.
- WELS rated controlled supply to domed water spout and wedge for additional safety and water efficiency.
- Tamper proof waste for security.
- Semicircular shroud with no sharp corners for safety.
- Ready to install to minimise site work time.
- Vandal resistant, fully welded seamless construction with secure side access panel for installation and service. (can be fastened with torx screws or 5mm SS rivets after installation)
- 2mm, 304 grade stainless steel, no.4 brushed finish for good looks and long service life.



#### Manufactured by:

Tom Stoddart Pty Ltd. ABN 16 009690251  
39 Forest Way, Karawatha 4117, Queensland Australia

**Specifications:**

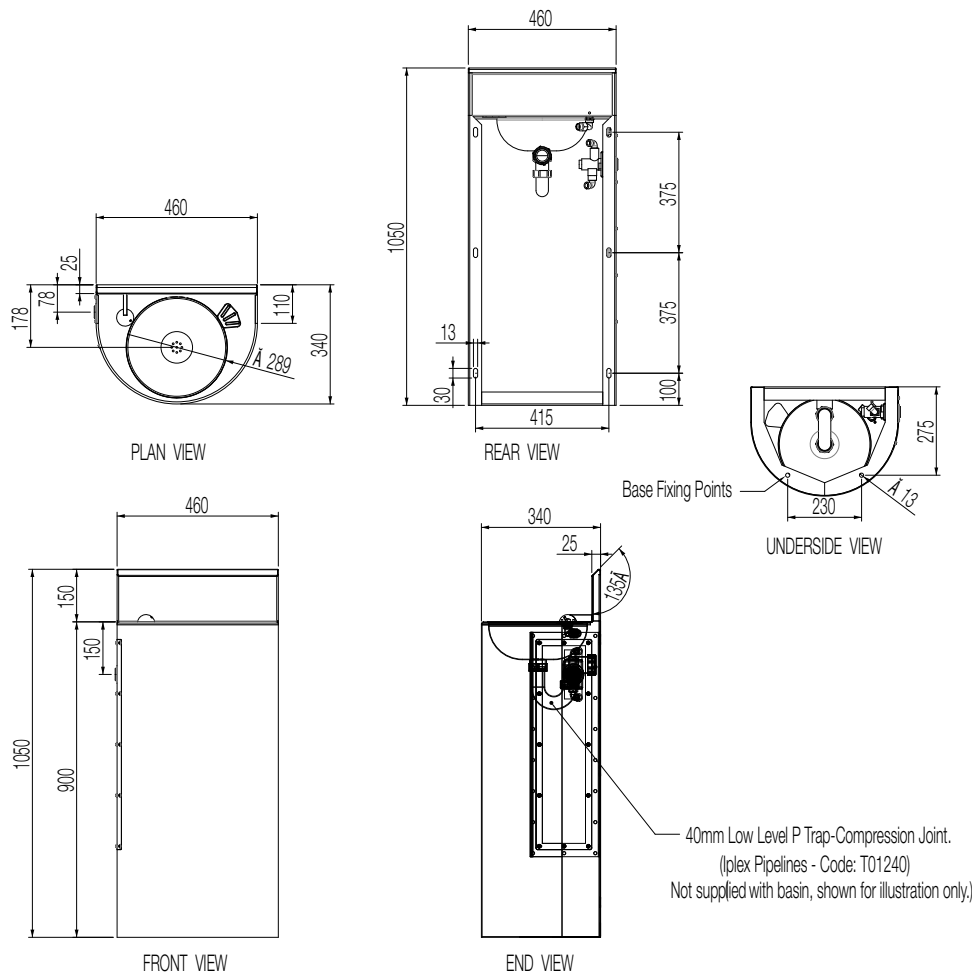
**Construction:** Fully welded seamless 2mm 304 grade stainless steel construction, no.4 brushed finish (316 grade variation is optional extra).  
**Water Supply:** 15mm (1/2" BSP). Pre-plumbed units provide timed flow, complete with bubbler and button.  
**Waste Connection:** 40mm. Suits universal S&P trap.  
**Unit Fixing:** Wall and floor fixing as per below drawing. Access panel fixed with 6mm security fixings or fastened with 5mm SS rivets after installation.

**Models:**
**SPPL.WB.SR2.FM.xx.yy.vv**

Code explanation:

SPPL = Standard Product Plumbing  
 WB = Wash basin  
 SR2 = Security round - type 2  
 FM = Floor mounted  
 xx = SA - side access cover (LSA/RSA)  
       = RA - rear access via service duct  
 yy = E - electronic activation  
       = M - manual activation  
       = NB - no buttons (supplied by others)  
 vv = VAR - other variations  
       = T - toilet roll holder (optional)  
       = WA - addition of sound suppression material & block behind bubbler

eg.: for specification and ordering

**SPPL.WB.SR2.FM.SA.M.T**


| Model No.            | Width (mm) | Length (mm) | Height (mm) |
|----------------------|------------|-------------|-------------|
| SPPL.WB.SR2.FM.xx.yy | 340        | 460         | 1050        |