

BASINS

Vanity Bench with Round Bowls

The Vanity Bench from Stoddart is an architecturally impressive public amenities vanity bench. This unit comes standard with round basins for use in hotels and clubs. Round bowls are easy to clean and always look good. This stainless steel bench is supplied with an integral splashback and apron for easy cleaning, great appearance and superior durability in high use areas.

The bowls are 350mm diameter hand basins, which are fully welded and polished into the bench top.



Features and Benefits:

- Constructed from 1.2mm 304 grade stainless steel.
- 32mm diameter tap holes.
- 40mm waste outlet to the centre of each bowl.
- All optional tapware are WELS and Watermark approved.



Models:

SPPL.WB.VR.xxxx.yyyy

Code explanation:

SPPL = Standard Product Plumbing

WB = Wash basin

VR = Vanity round

xxxx = No. of bowls

yyyy = Bench length

eg.: for specification and ordering

SPPL.WB.VR.2.1200.CMPL.0624

Tapware Alternatives:



CMPL.0984



CMPL.0985



CMPL.0966



CMPL.0964



CMPL.0967



CMPL.0981



CMPL.0983



CMPL.0980



CMPL.0624



CMPL.1006



Proudly Manufactured
in Australia

Manufactured by:

Tom Stoddart Pty Ltd. ABN 16 009690251
39 Forest Way, Karawatha 4117, Queensland Australia

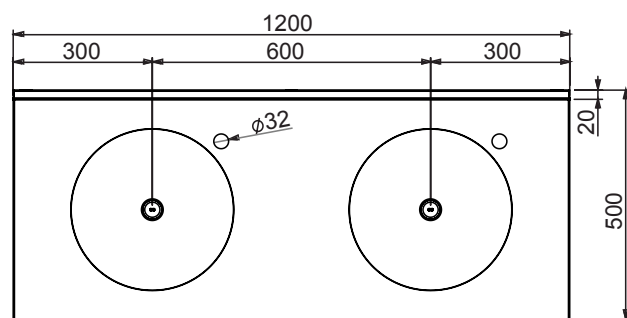
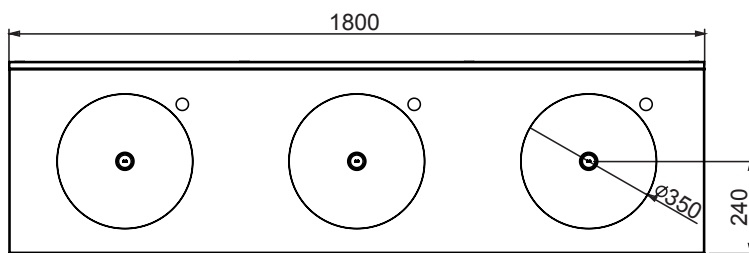
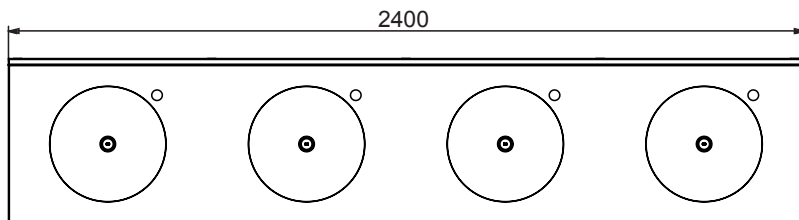
Specifications:

Construction: Fully welded seamless 1.2mm 304 grade stainless steel construction, no.4 satin finish.
Water Supply: By plumber.
Waste Connection: 40mm PVC, supplied.
Unit Fixing: The unit is supplied with wall mounting brackets with 10mm fixing holes.
 Recommended fixing height from top of unit to finished floor level is 800 - 830mm.

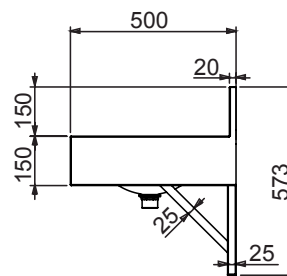
Models:
SPPL.WB.VR.xxxx.yyyy

Code explanation:

SPPL = Standard Product Plumbing
 WB = Wash basin
 VR = Vanity round
 xxxx = No. of bowls
 yyyy = Bench length
 eg.: for specification and ordering
 SPPL.WB.VR.2.1200

Tapware Alternatives:


PLAN VIEW



END VIEW

Model No.	Width (mm)	Length (mm)	Height (mm)	No. of Basins
SPPL.WB.VR.2.1200	500	1200	300	2
SPPL.WB.VR.3.1800	500	1800	300	3
SPPL.WB.VR.4.2400	500	2400	300	4
Custom options available				