

TROUGHS

AirTrough - Wash Trough with Dyson Airblade Tap



Stoddart AirTrough® provides a complete solution for the hand washing requirements as detailed in Section 4 of AS 4674 for the design, construction & fit out of food premises.

The AirTrough® saves valuable wall space in busy commercial kitchens and eliminates the need for paper towels & waste bins or linen towel services.

The AirTrough® has sensor activated supply of water and on each side of each water outlet are sensor activated air blades that effectively dry hands to prevent the transfer of pathogenic micro-organisms to the hands and arms.

The AirTrough® can be ordered with a tempering valve to control warm water from hot and cold supply for effective washing (soaps are more active in warm water).

The AirTrough® houses the controls for the Dyson Airblade® Tap, plumbing fittings and water heater or tempering valve in a discrete enclosure under the trough.

Models:

SPPL.WT.AT.x.yy

Code explanation:

SPPL = Standard Product Plumbing

WT = Wash trough

AT = AirTrough

x = 2 - 2 taps, 1300mm long trough

= 3 - 3 taps, 1900mm long trough

= 4 - 4 taps, 2500mm long trough

yy = TV - tempering valve

eg.: for specification and ordering

SPPL.WT.AT.3.TV



Proudly Manufactured
in Australia

Manufactured by:

Tom Stoddart Pty Ltd. ABN 16 009690251
39 Forest Way, Karawatha 4117, Queensland Australia

Specifications:

Construction: Stainless steel satin finish. Pre-plumbed and wired ready for connection on site.
Water Supply: 15mm (1/2" BSP).
Waste Connection: 50mm.
Electrical Connection: (Airblade 1600W each)
 10A GPO for each Airblade Tap or Hard wired to 30 A, 240 VAC supply with Isolator switch.
Unit Fixing: Unit is supplied with wall mounting brackets. The AirTrough® should be mounted at Bench Height near the staff entrance to food preparation areas & within 5 meters of open food handling areas.

Models:
SPPL.WT.AT.x.yy

Code explanation:

SPPL = Standard Product Plumbing

WT = Wash trough

AT = AirTrough

x = 2 - 2 taps, 1300mm long trough

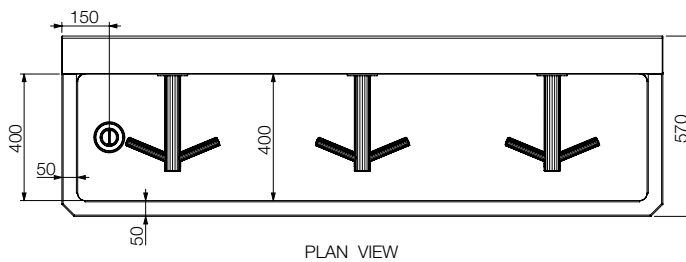
= 3 - 3 taps, 1900mm long trough

= 4 - 4 taps, 2500mm long trough

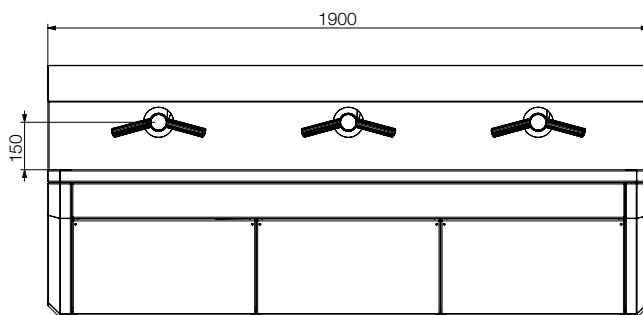
yy = TV - tempering valve

eg.: for specification and ordering

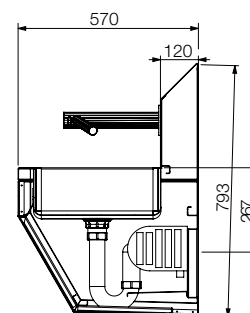
SPPL.WT.AT.3.TV



PLAN VIEW



FRONT VIEW



END VIEW

Model No.	Length (mm)	No. of Taps
SPPL.WT.AT2	1300	2
SPPL.WT.AT3	1900	3
SPPL.WT.AT4	2500	4