

Automatic Hand Sanitiser Dispenser - Hands Free



Model: SPPL.HSD.HF.001

SPPL = Stoddart Plumbing Product

HSD = Hand Sanitiser Dispenser

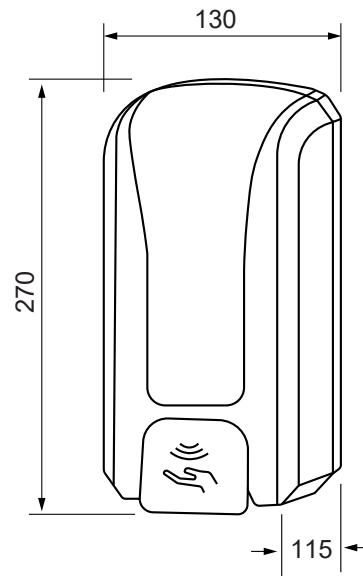
HF = Hands Free

eg.: for specification and ordering quote

Code: SPPL.HSD.HF.001

Features and Benefits:

- Automatic dispenser for controlled hygienic hands free use
- Suitable for foam, gel or liquid applications
- Easy refillable 1L bottle from any container
- Low product indicator light
- Sensor distance: 80-120mm, dispensing 0.8ml - 1.2ml of product each use



Specifications:

Construction: Fabricated from ABS plastic
Operation: Requires 4 x size C batteries (not included)
Unit Fixing: Universal mounting, secure to wall or Stoddart dispenser stand with mounting kit (provided) or adhesive backing (not included)

Recommended install height: 1270mm from floor, 400mm from bench top

Model No.	W x D x H (mm)
SPPL.HSD.HF.001	130 x 115 x 270

Due to continuous product research and development, the information contained herein is subject to change without notice.

Revision: May 19, 2020 2:10 PM

www.stoddart.com.au

www.stoddart.co.nz