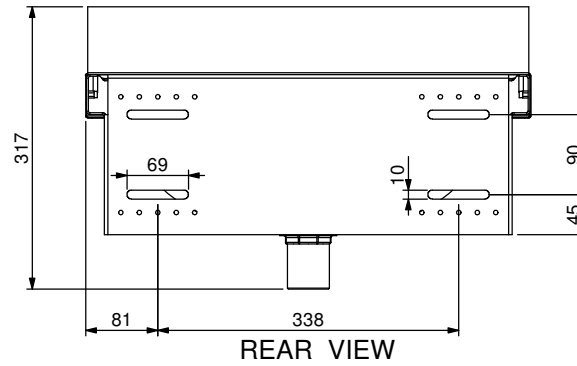
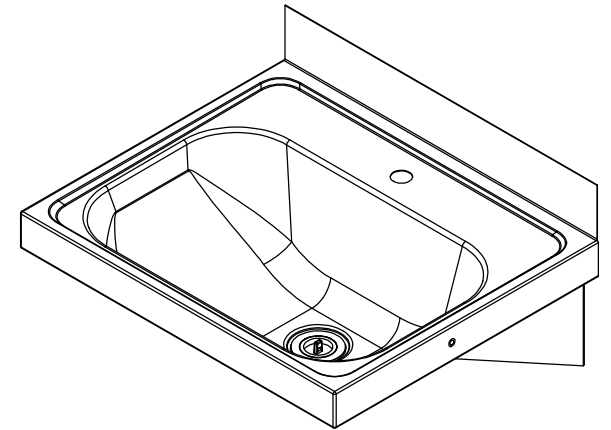


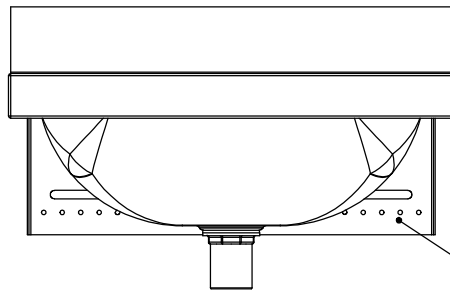
PLAN VIEW



REAR VIEW

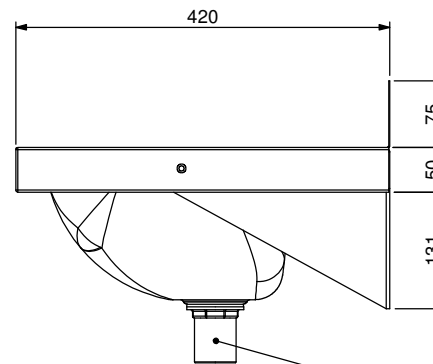


ISOMETRIC VIEW



FRONT VIEW

2.0mm 409L 2B  
fixing bracket.



END VIEW

40mm Plug & Waste



**STODDART**  
MANUFACTURING  
TOM STODDART Pty Ltd  
ACN 009 690 251  
www.stoddart.com.au

				PART No: <b>SPPL-WB-H1 C1</b>	
				DESCRIPTION: Hand Wash Basin	
DRAWN	J Pickels	SIGNATURE	DATE	UNLESS OTHERWISE SPECIFIED: DIMENSIONS ARE IN MILLIMETERS	
APPV'D				MATERIAL:	
Weight: 20.26 kg				THICKNESS:	
Surface Area: 1.81 M2				FINISH:	
DO NOT SCALE DRAWING				This drawing remains the property of Tom Stoddart Pty Ltd & cannot be reproduced without prior permission.	
				A3	Sheet 1 of 5