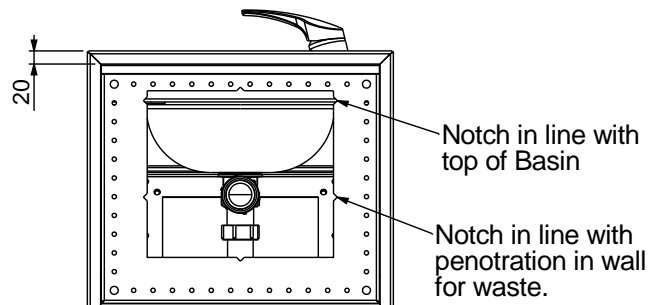
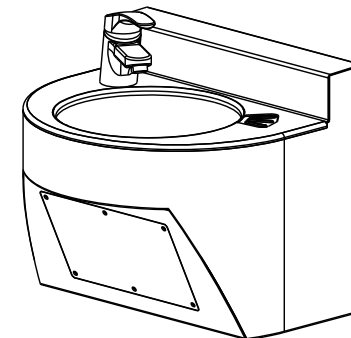


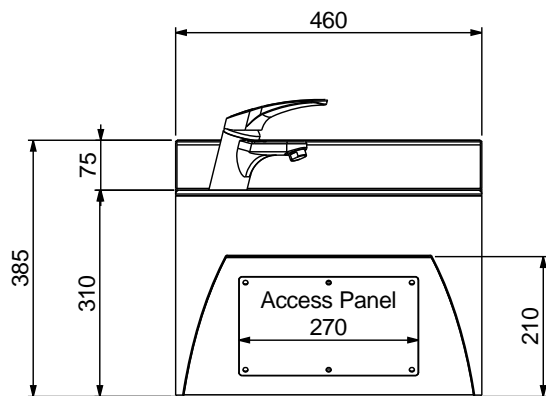
PLAN VIEW



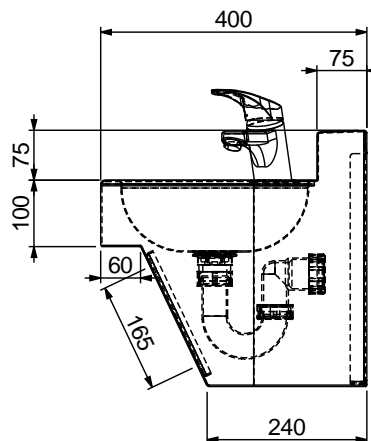
REAR VIEW



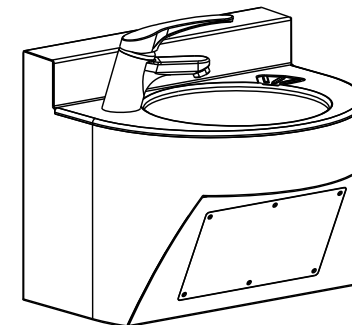
ISOMETRIC VIEW



FRONT VIEW



END VIEW



ISOMETRIC VIEW

**ALL STAINLESS STEEL PANELS ARE 2.0mm 304 S/S.**



**STODDART  
MANUFACTURING**  
TOM STODDART Pty Ltd ACN 009 690 251  
149 Jackson Rd Sunnybank Hills Qld 4109  
PO Box 420 Sunnybank Qld 4109  
Phone (617) 3345 5011 Fax (617) 3344 1000  
Email sunnybank@stoddart.com.au  
*Quality in stainless steel*

					PART No: <b>SPPL-WB-SR2- DA -NP-VAR A1</b>	
					DESCRIPTION: Wash Basin;Round;Wall Mount;Disabled	
DRAWN	J Picketts	SIGNATURE	DATE	UNLESS OTHERWISE SPECIFIED: DIMENSIONS ARE IN MILLIMETERS		
APPV'D			19/05/2009			
Weight:				MATERIAL:		
Surface Area:				THICKNESS:		
			FINISH:		DWG No: <b>SPPL-WB-SR2-WM DA VAR-d01 A1</b>	
DO NOT SCALE DRAWING			This drawing remains the property of Tom Stoddart Pty Ltd & cannot be reproduced without prior permission.			
			A3		Sheet 1 of 12	

REV/VER.	REVISED BY	DATE	REVISION DESCRIPTION	STATUS
A		18/12/2012		For Manufacture

Dwg. Issue

1