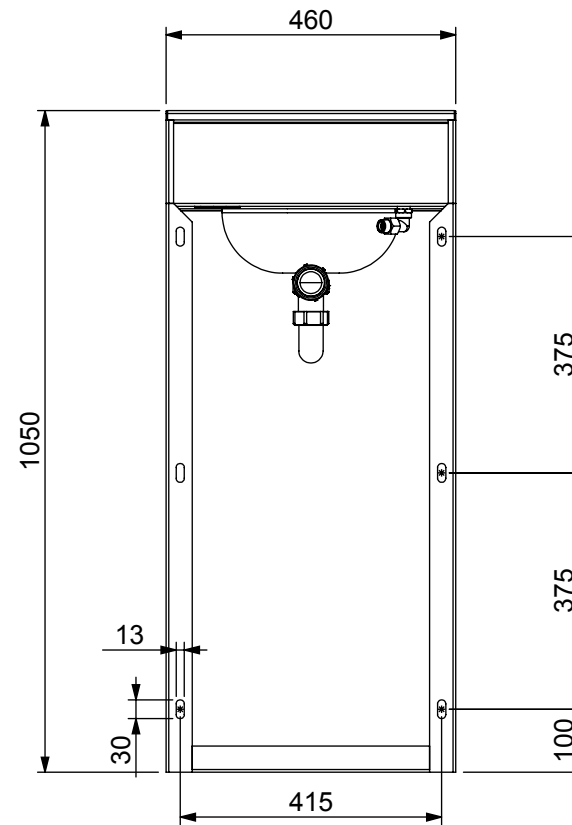
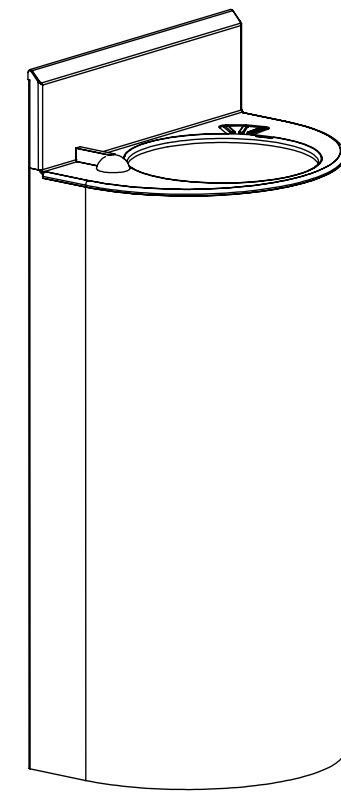


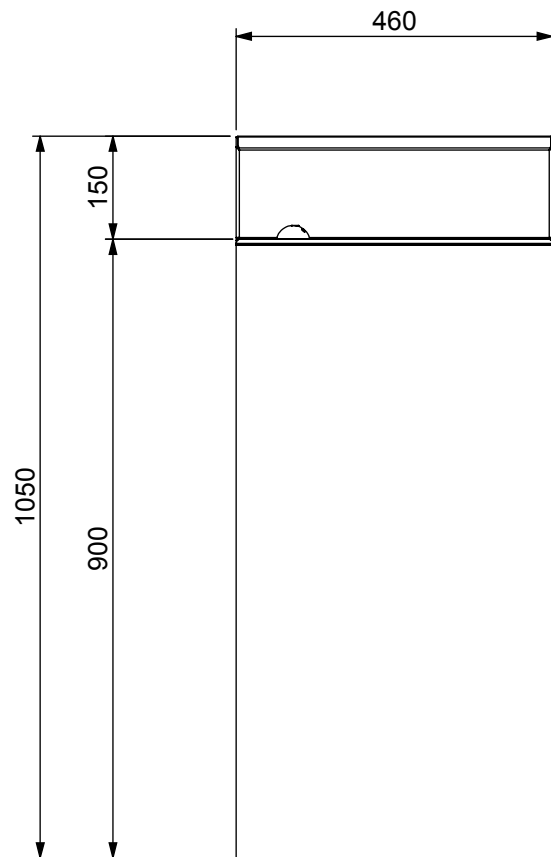
PLAN VIEW



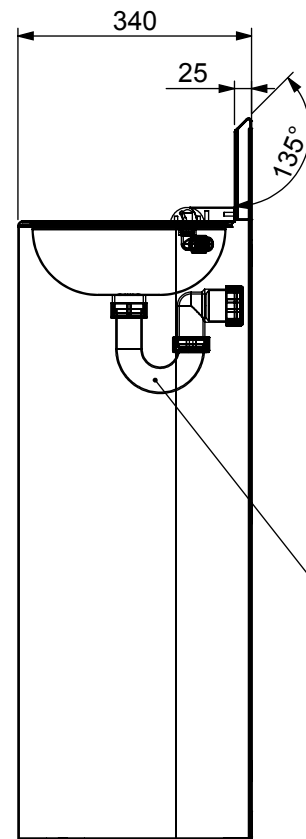
REAR VIEW



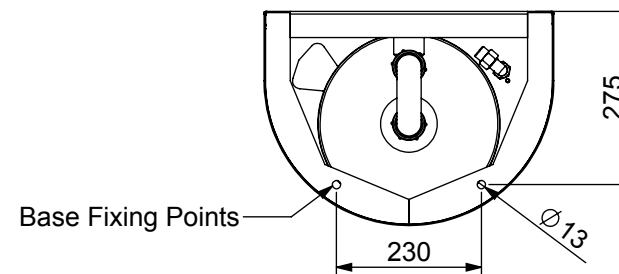
ISOMETRIC VIEW



FRONT VIEW

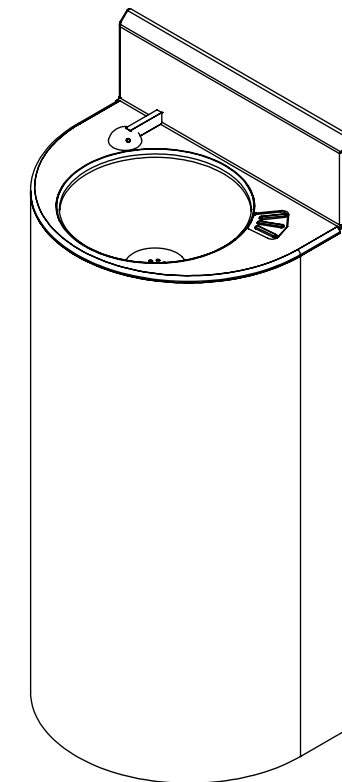


END VIEW



UNDERSIDE VIEW

40mm Low Level P Trap-Compression Joint.
(Iplex Pipelines - Code: T01240)
(Not supplied with basin, shown for illustration only.)



ISOMETRIC VIEW

ALL STAINLESS STEEL PANELS ARE 2.0mm THICK.



**STODDART
MANUFACTURING**

TOM STODDART Pty Ltd ACN 009 690 251
149 Jackson Rd Sunnybank Hills Qld 4109
PO Box 420 Sunnybank Qld 4109
Phone (617) 3345 5011 Fax (617) 3344 1000
Email sunnybank@stoddart.com.au
Quality in stainless steel

				PART No: SPPL-WB-SR2-FM-RA-NB-VAR Rev A	
DRAWN J Pickels				DESCRIPTION: Security Wash Basin - Round Wall Mounted	
APPVD				DWG No: SPPL-WB-SR2-FM-RA-NB-VAR Rev A	
Weight: 19.97 kg Surface Area: 2.64 M2				Dwg. Issue	
DO NOT SCALE DRAWING				Sheet 1 of 12	