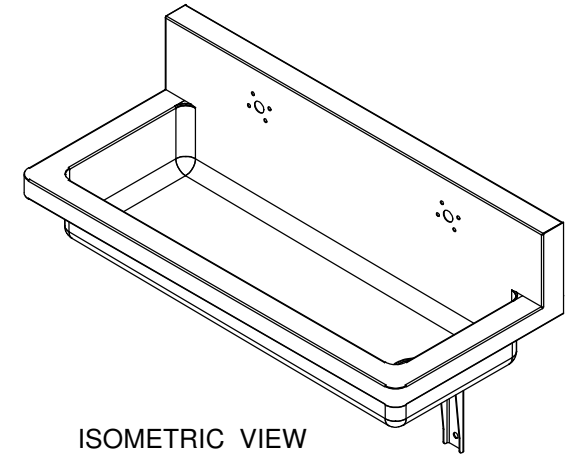
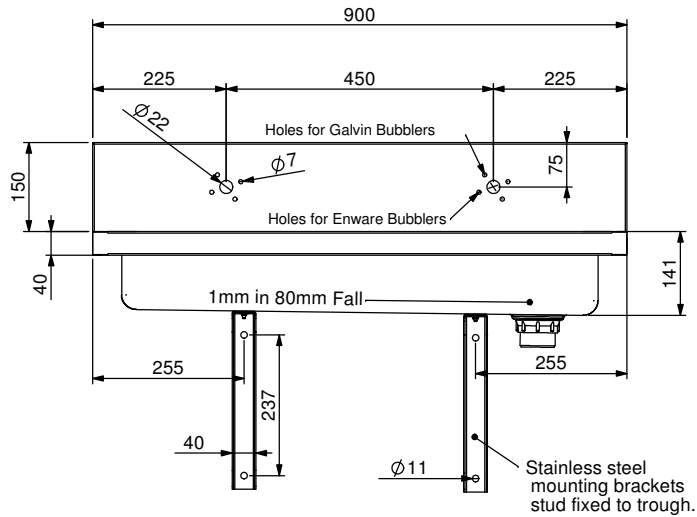


PLAN VIEW

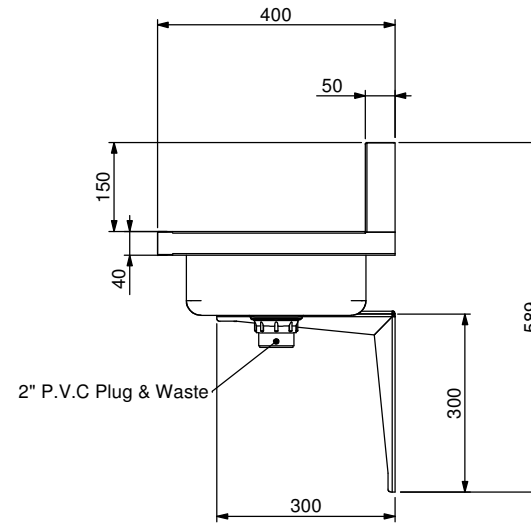
MATERIALS : Trough - 1.2 304 No.4 S/S
 Brackets - 2.0 304 No.4 S/S



ISOMETRIC VIEW



FRONT VIEW



END VIEW

R/H WASTE SHOWN
 L/H WASTE & CENTRE WASTE AVAILABLE

REV/VER.	REVISED BY	DATE	REVISION DESCRIPTION	STATUS
A1		24/07/2014		For Manufacture



STODDART
 MANUFACTURING
 TOM STODDART Pty Ltd
 ACN 009 690 251
 www.stoddart.com.au

				PART No: SPPL-WT-V-S7-R-0900 A1	
DRAWN	NAME	SIGNATURE	DATE	UNLESS OTHERWISE SPECIFIED: DIMENSIONS ARE IN MILLIMETERS	
APPV'D	J Pickels		14/04/2010	DESCRIPTION: R/H Wash/Drinking Trough	
Weight: 9.98 kg Surface Area: 2.02 M2			MATERIAL:		DWG No: SPPL-WT-V-S7-R-0900-d01 A1
DO NOT SCALE DRAWING			THICKNESS: FINISH:		Dwg. Issue 1
This drawing remains the property of Tom Stoddart Pty Ltd & cannot be reproduced without prior permission.				A3	Sheet 1 of 8