

## Bun Conveyor Oven

### W.CVT.BUN.25

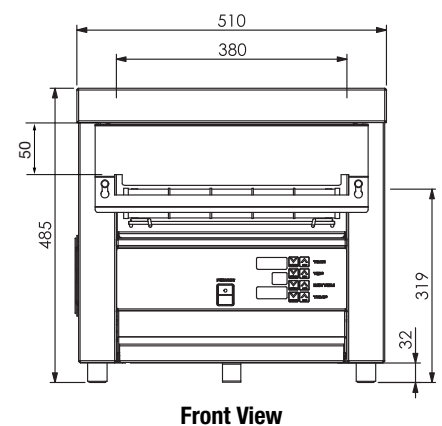
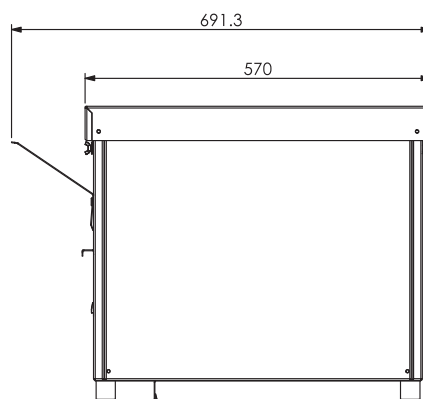
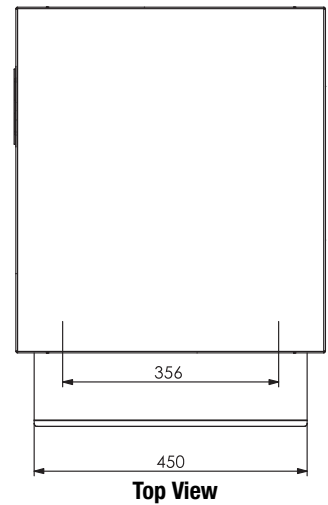


#### Product Information:

- Front loading & front exiting machine
- Long life metal elements for continuous use
- 6kW (25 Amps) of power for more throughput
- Variable top and bottom independent temperature controls
- Variable speed belt control
- Stainless steel construction
- Supplied with 2 metre lead for appropriate hard wiring on site by a qualified electrician. Optional factory fitted plug is available (W.CVS.PL32)
- Capacity of up to 250 buns per hour\*
- **12 months on-site parts and labour warranty**

#### Specifications:

<b>Model</b>	<b>W.CVT.BUN.25</b>
<b>Height</b>	485mm
<b>Width</b>	570mm
<b>Depth</b>	510mm
<b>Weight</b>	30kg
<b>Power</b>	6kW 25A 2m lead fitted



\*results may occur due to bread types

Due to continuous product research and development, the information contained herein is subject to change without notice.

Revision: 24/06/2020

[www.stoddart.com.au](http://www.stoddart.com.au)

[www.stoddart.co.nz](http://www.stoddart.co.nz)